

DELTA
PREVENTION



**ROOF FALL PROTECTION
SOLUTIONS & EQUIPMENT**



ECOLLECTIVE
Fall Protection



INDEX

- 3 A partner of choice
- 4 The hierarchy of fall protection
- 5 Features and benefits of our systems
- 6 Innovative and environmentally conscious
- 7 Freestanding guardrails
- 11 VSS SafetyLine
Permanent Warning Line
- 13 Guardrails for access ladder
- 15 Guardrails for roof access hatch
- 17 Guardrails for skylights
- 19 Ladder stabilizer system
- 21 Crossover platform
- 23 Self-closing safety gate
- 25 Non-penetrating roof mount
- 26 Other products
- 28 Color options
- 29 Available clamps
- 30 Standards
- 32 Warranty
- 33 Additional Services
- 34 Quote Request Form

ABOUT DELTA PREVENTION

Delta Prevention is a Canadian manufacturer of permanent, versatile and collective fall prevention solutions. All our equipment is designed and manufactured to save lives and maintain the integrity of your building while respecting the environment. The only manufacturer to offer you an ECOLLECTIVE fall protection, Delta Prevention is proud to manufacture its products in Canada with eco-responsible and locally sourced materials. Beyond the equipment, we pay unique attention to our users, the workers who risk their lives every day working a few steps from the edge. For them, we develop products that exceed industry standards in terms of durability, safety and use.

OUR MISSION:

Provide companies with collective and permanent fall protection solutions that enable them to make their workplaces safe while preserving the integrity of their infrastructure.

OUR VISION:

Saving lives by securing industrial, commercial and institutional infrastructure with eco-responsible and innovative solutions.

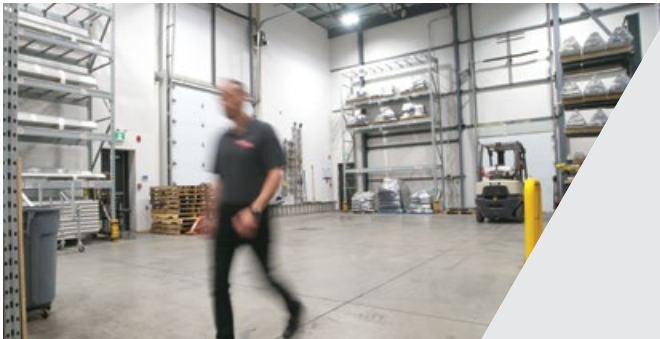
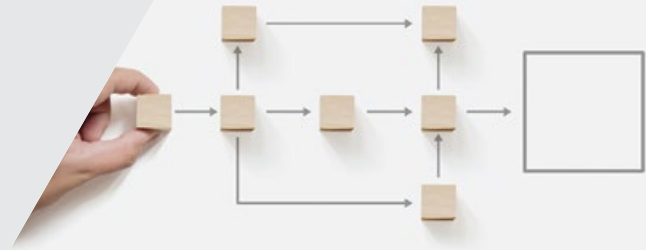
About our catalog: Our product range is constantly evolving. Delta Prevention reserves the right to modify the appearance or characteristics of its products at any time.

A PARTNER OF CHOICE

For almost 10 years, we have positioned ourselves as a partner of choice for businesses and leaders in fall prevention system integration. Every day, our team aims to deliver unparalleled service and deliver on our promises, project after project. Here's what sets us apart.

BUSINESS PROCESSES: A ROAD MAP TO SUCCESS

Preparing an order without mistake is easy. Doing it 500 times a year is more difficult. To achieve this, our internal processes are well defined and constantly improved.



ORGANIZED TO PERFORM

To eliminate errors that could lead to costly delays on your projects, our production team has organized our facility to maximize our efficiency and accuracy. The result? Consistency and precision unmatched in the industry.

WE IMPROVE WHAT WE MEASURE

Our goal is to position ourselves as the leading partner for our North American customers. To achieve this, we have implemented performance indicators that are rigorously monitored in each department of the company.



RECOGNIZED PERFORMANCE

In 2021, Delta Prevention was recognized with a mention during the Quebec Performance Award. The Quebec Performance Award is the highest distinction awarded annually by the Premier of Quebec to the best-performing private companies and public organizations. It is a recognition that celebrates the work of organizations that have succeeded in applying the best management practices.

FREESTANDING GUARDRAILS: THE FALL PROTECTION SOLUTION CHOSEN BY THOUSANDS OF COMPANIES

When working at heights, wearing a harness is often the recommended solution. But did you know that the first step should be to question the task itself? If it's impossible to eliminate the risk at the source, a logical sequence of solutions must be evaluated: here is the hierarchy of fall protection.

1



Hazard Elimination

Preferred solution is to eliminate exposure to the fall hazard.

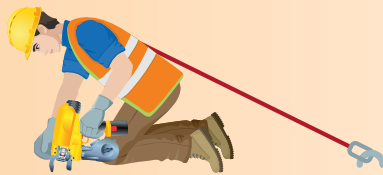
2



Passive Fall Protection

Physical barriers, such as guardrails around unprotected edges and covers over holes.

3



Fall Restraint Systems

Use personal protective equipment to restrict the worker's range of movement so they cannot fall.

4



Fall Arrest Systems

Use personal protective equipment to arrest a fall within acceptable force and clearance margins.

5







Administrative Controls

Least preferred solution is utilizing work practices or procedures that increase a worker's awareness of a fall hazard.

FEATURES AND BENEFITS OF OUR SYSTEMS

What is experience? Try, analyze and evolve. For nearly 10 years, we have pioneered the design and engineering of rooftops fall protection systems. Beware of systems that claim to be equivalent: after a thorough examination, their flaws will be apparent.

COMPONENTS		FEATURES	BENEFITS
COUNTERWEIGHT BASES 	MATERIAL	<ul style="list-style-type: none"> 100% recycled rubber Sourced exclusively from heavy-duty truck tires shredded in fibres and moulded with 200 tons of pressure. Made in Canada 	<ul style="list-style-type: none"> Eco-conscious material More durable than rubber from car tires, which contains only 20% rubber and is shredded into grains, making the product crumbly and unstable. No risk of rust stains on the membrane
	DESIGN	<ul style="list-style-type: none"> No sharp edges Integrated handles Drainage channels Allows for multiple configurations Patented design 	<ul style="list-style-type: none"> No risk of perforating the membrane during handling Ease of transportation Allows water to drain Adapts to all situations on the roof
	DIMENSIONS AND WEIGHTS	<ul style="list-style-type: none"> 18" x 24" x 6", 50 lbs per counterweight 	<ul style="list-style-type: none"> Respects the maximum weight for manual handling described by the Canada Labor Code and OSHA.
VERTICAL POSTS 	MATERIAL	<ul style="list-style-type: none"> 6061-T6 anodized aluminum New materials only 	<ul style="list-style-type: none"> Lighter than galvanized steel Superior durability against corrosion Finish will not tarnish or scratch.
	ASSEMBLY	<ul style="list-style-type: none"> Factory-installed top and mid rail clamps. 	<ul style="list-style-type: none"> Compliance assurance Speeds up installation
HORIZONTAL RAILINGS 	MATERIAL	<ul style="list-style-type: none"> 6061-T6 anodized aluminum New materials only 	<ul style="list-style-type: none"> Lighter than galvanized steel Superior durability against corrosion Finish will not tarnish or scratch.
	DIMENSIONS	<ul style="list-style-type: none"> 10' length (20' available) Multiple pre-cut lengths in popular systems 	<ul style="list-style-type: none"> Compliance assurance Cut quality Speeds up installation
CLAMPS 	MATERIAL	<ul style="list-style-type: none"> Malleable cast iron with hot dip galvanizing & electroplating 	<ul style="list-style-type: none"> Superior corrosion resistance proven in ASTM B117-18 salt spray test.
	HARDWARE	<ul style="list-style-type: none"> Stainless steel 	<ul style="list-style-type: none"> Superior durability against corrosion
WARRANTY		<ul style="list-style-type: none"> 10 years (see Delta Prevention warranty certificate) 	<ul style="list-style-type: none"> The best warranty in the industry The support and inventory of a manufacturer that supports its products.

INNOVATIVE AND ENVIRONMENTALLY CONSCIOUS

THE FIRST MANUFACTURER TO USE RECYCLED RUBBER.

When designing our products, we strive to choose durable and high-performance materials. Although criteria such as weight and durability are at the forefront, eco-responsibility is an essential value. This is why our commitment to recycled rubber has continued since its introduction to the market in 2015.

WHY DID WE CHOOSE RECYCLED RUBBER FOR THE CREATION OF OUR PATENTED COUNTERWEIGHT BASE?



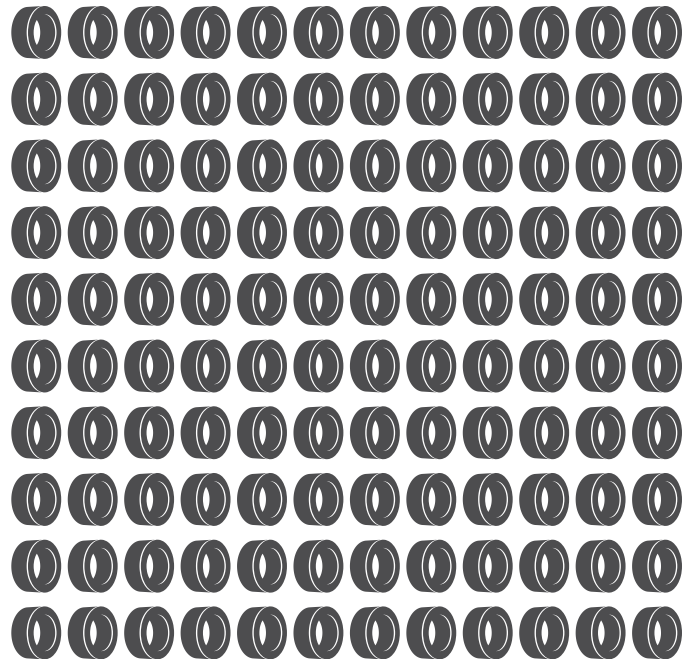
3 recycled truck tires in each base



Raw material coming from tire retreading

60 000

tires recycled since the creation of Delta Prevention



 = 500 tires



FREESTANDING GUARDRAILS

The roof guardrail system from Delta Prevention is extremely popular for permanently eliminating your roof fall hazards. Thanks to multiple configurations available, they are the most versatile on the market.



FEATURES

- No damage to the roof because 100% freestanding
- Aluminum tubing prevents peeling paint
- High adhesion recycled rubber bases
- Ultimate resistance to rust and deterioration caused by rain, temperature changes and acidic environments
- Quick and easy installation on roofs with or without parapet
- Compliance report included
- 10 year warranty
- Made in Canada
- Complies with NBC, OBC, Worksafe BC and OSHA standards

VSS CLASSIC VSS COMPACT



Linear configuration to secure between a minimum of 10 feet up to your entire perimeter without any return. Can be installed at an angle to lower the visual impact on your building.

The best choice for:

- Long sections
- Roof without parapet

Application:

- Medium-large HVAC
- Access ladder protection
- Rooftop walkway



Ideal configuration when floor space is reduced between the units to be protected and the parapet. A return of only 5 feet is required at each end, regardless of length, and at 40 foot intervals when there is no parapet.

The best choice for:

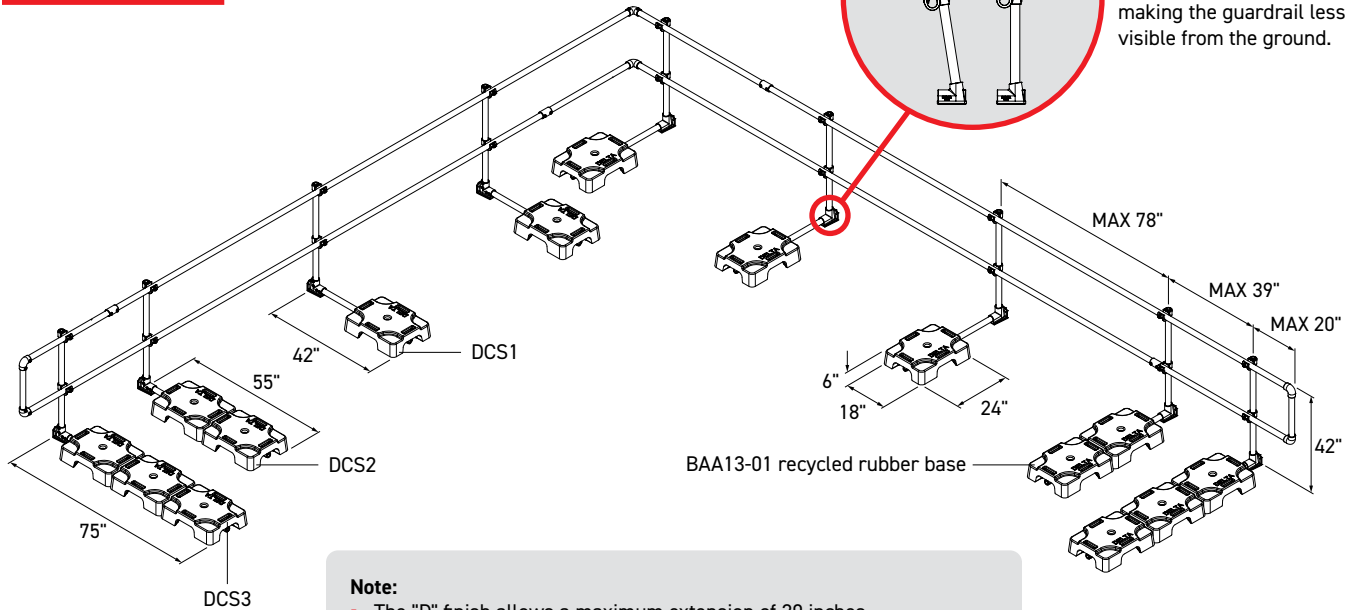
- Restricted space
- Use with permanent warning line
- Closed perimeter
- Temporary installation

Application:

- Snow chutes
- Small HVAC
- Skylights

TYPES OF INSTALLATION

VSS CLASSIC

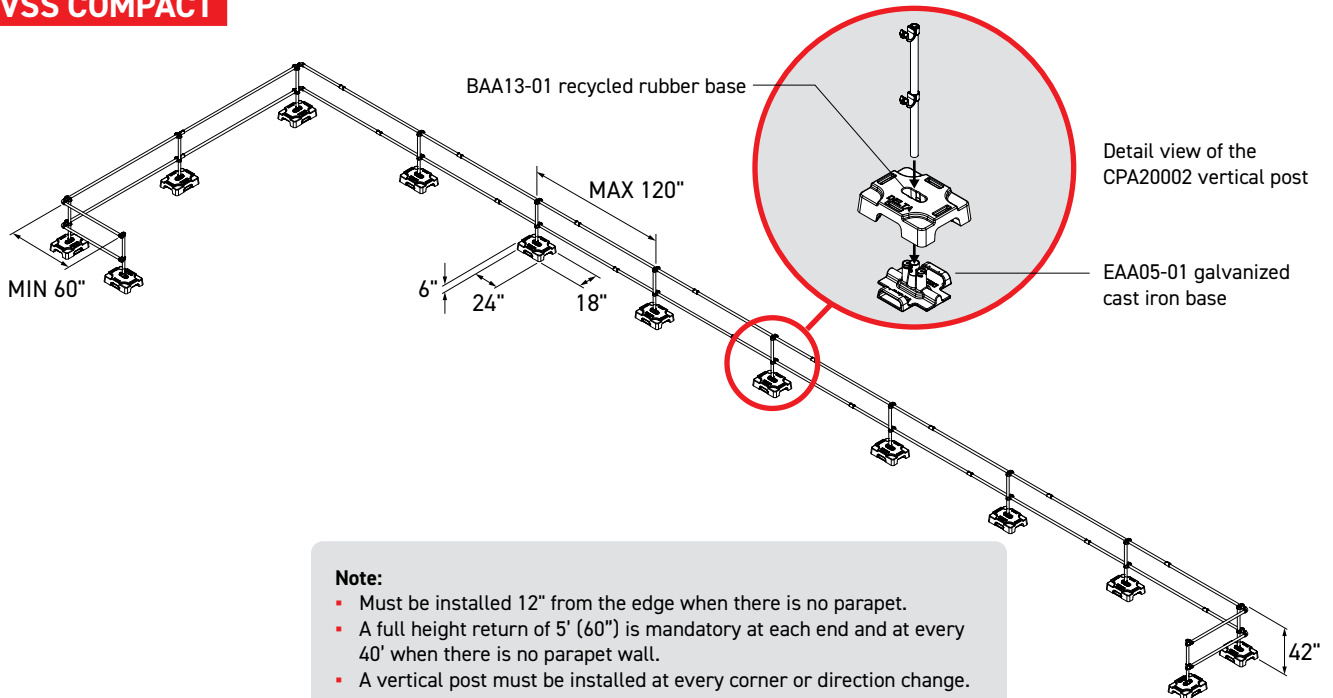


The GA200 clamp allows a 10° angled installation making the guardrail less visible from the ground.

Note:

- The "D" finish allows a maximum extension of 20 inches.
- The ends of the VSS Classic system are always composed of a DCS3 and a DCS2, located 39 inches apart.
- The measurements shown represent the maximum lengths between two vertical posts (78").
- Must be installed at 12" from the edge when there is no parapet.

VSS COMPACT



Detail view of the CPA20002 vertical post

EAA05-01 galvanized cast iron base

Note:

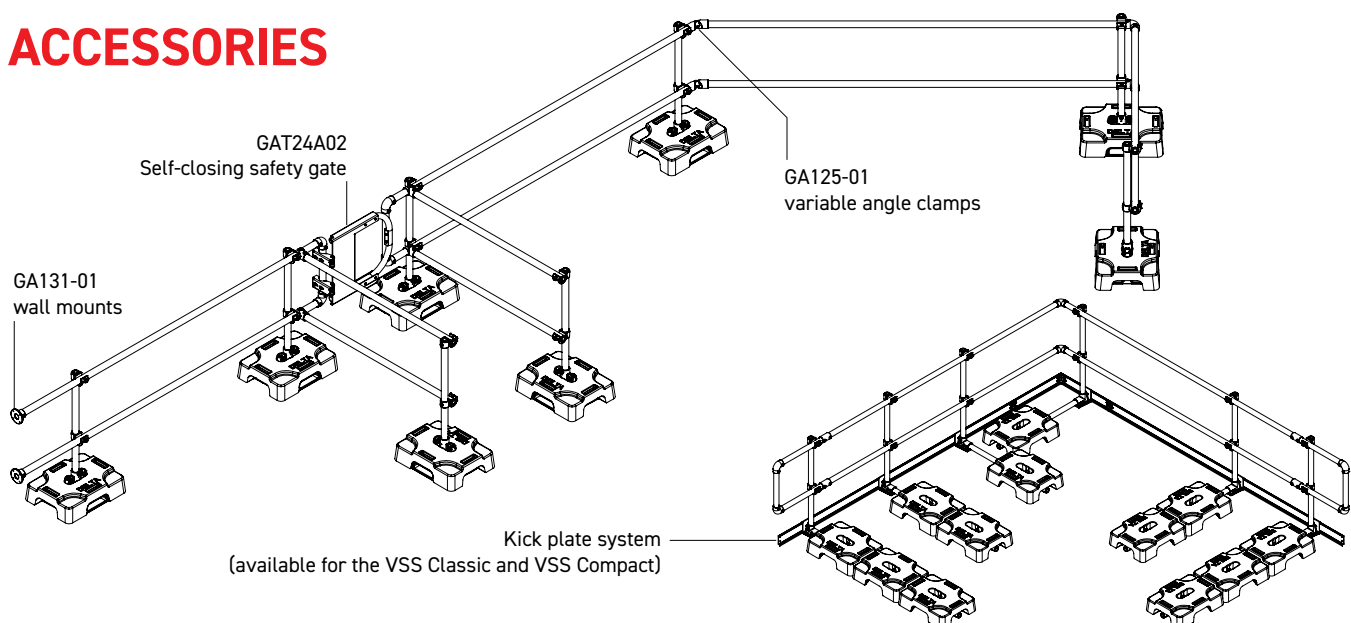
- Must be installed 12" from the edge when there is no parapet.
- A full height return of 5' (60") is mandatory at each end and at every 40' when there is no parapet wall.
- A vertical post must be installed at every corner or direction change.
- The measurements shown represent the maximum lengths between two vertical posts (120").
- End-returns are not considered fall protection.

TECHNICAL SHEET

	VSS Classic	VSS Compact
Minimum length:	72"	120"
Height:	42"	42"
Max distance between posts:	78"	120"
Full height returns:	Not required	At each end and every 40' on roofs without a parapet
Counterweights:	DCS1: 50 lb. DCS2: 100 lb DCS3: 150 lb	CPA20002: 100 lb BAA13-01 only: 50 lb EAA05-01 only: 50 lb
Counterweight dimensions:	DCS1: 42" x 18" x 6" DCS2: 55" x 18" x 6" DCS3: 75" x 18" x 6" BAA13-01 only: 24" x 18" x 6"	CPA20002: 24" x 18" x 6" BAA13-01 only: 24" x 18" x 6" EAA05-01 only: 17.25" x 17.25" x 8.35"
Counterweights - material:	BAA13-01: recycled rubber	BAA13-01: recycled rubber EAA05-01: hot dipped galvanized cast iron with glued 0.120" (3 mm) EPDM membrane
Rails & posts:	Anodized 6061-T6 aluminum	Anodized 6061-T6 aluminum
Rails - lengths:	10' (120")*	10' (120")*
Rails & posts - outside diameters:	1,9"	1,9"
Rails & posts - inside diameters:	1,610"	1,610"
Clamps - material:	Malleable cast iron with hot-dip galvanizing & electroplating	Malleable cast iron with hot-dip galvanizing & electroplating
Clamps - tightening torque:	30 lb/pi	30 lb/pi
Compatibility with VSS SafetyLine:	Yes	Yes
Application:	Permanent, temporary	Permanent, temporary
Design patent:	#162630 (BAA13-01)	#162630 (BAA13-01)
Complies with:	RSST: 12 CNB: 4.1.5.14 CSA Z259.18:19 OSHA: 1926.502, 1926.501 Ontario Building Code: 4.1.5.14 WorkSafeBC: 11.2	RSST: 12 CNB: 4.1.5.14 CSA Z259.18:19 OSHA: 1926.502, 1926.501 Ontario Building Code: 4.1.5.14 WorkSafeBC: 11.2
Warranty:	10-year	10-year

* 20' (240") rails available upon request. Additional fees and delays may apply.

ACCESSORIES



COMMON APPLICATIONS



HVAC unit - VSS Classic



Wall mount - VSS Compact



Level change - VSS Compact



Ballasted roof - VSS Classic



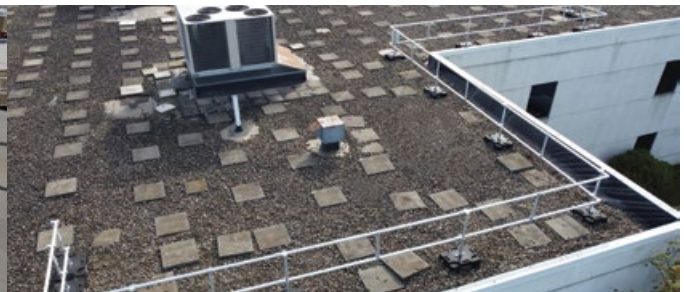
Roof drains - VSS Classic



Access staircase - VSS Classic



Sloping roof - VSS Classic



HVAC unit - VSS Compact



HVAC unit - VSS Compact



Roof with angle - VSS Classic



VSS SAFETYLINE PERMANENT WARNING LINE

The VSS SafetyLine is a warning line system used to delineate a safe working area away from fall hazards. The VSS SafetyLine is 100% compliant with the OSHA and provincial permanent warning line standards.



FEATURES

- Permanent delineation of a safety perimeter
- Modular: can be combined with Delta Prevention guardrails to secure the entire roof at a low cost
- Scalable: can be converted into a guardrail
- Freestanding: 100% without penetration
- Quick and easy installation
- Complies with OSHA, RSST and other provincial permanent warning line standards
- Compliance report included
- 10-year warranty

MAIN COMPONENTS



EAA05-01 hot dipped galvanized cast iron with glued 0.120" (3 mm) EPDM membrane



PVC coated steel cable and high visibility flag

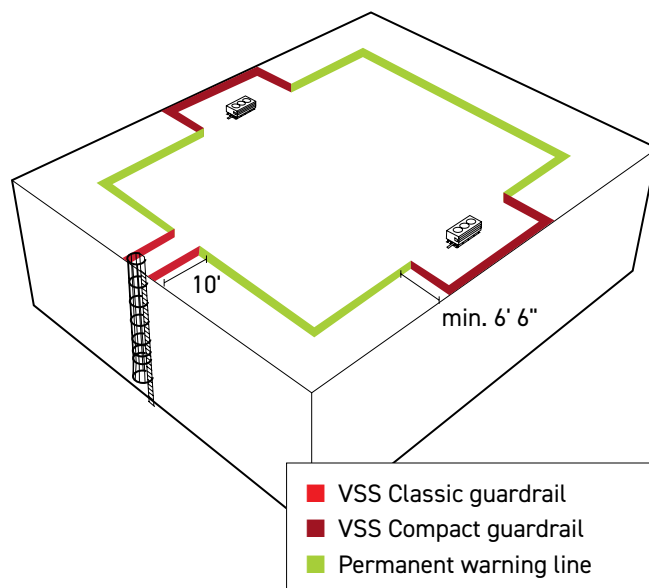


BAA13-01 recycled rubber counterweight base



Solid mounting with carabiners

THE IDEAL ADDITION TO DELTA PREVENTION GUARDRAILS

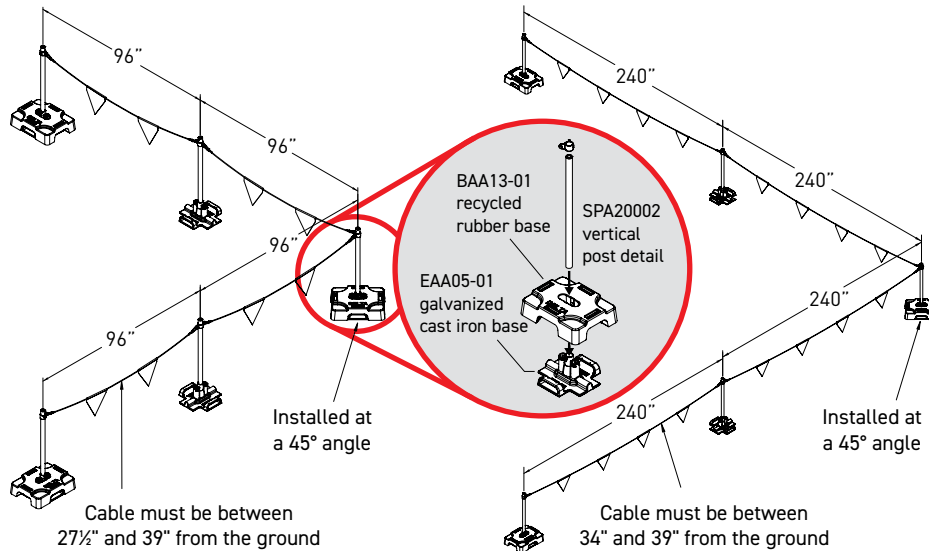


TYPES OF INSTALLATION

TYPES OF CONNECTION

RSST - QUEBEC STANDARDS

OSHA - CANADA/USA STANDARDS



TYPE G

The warning line is connected to a guardrail or wall anchor at both ends. A rubber counterweight must be added at each corner and positioned at 45°.

TYPE S

The warning line is connected to a guardrail or wall anchor at one end only. A rubber counterweight must be added at:

- the non-connected end.
- each corner and positioned at 45°.

TYPE N


The warning line is not connected to any end. A rubber counterweight must be added at:

- both ends.
- each corner and positioned at 45°.


TECHNICAL SHEET

	RSST Standard - Quebec	OSHA standard - Canada/USA
Max distance between post:	96"	240"
Maximum cable height:	39" from the ground	39" from the ground
Minimum cable height:	27½" from the ground	34" from the ground
Cable - material:	Galvanized steel, yellow PVC coating of 1/16" (1,5 mm)	
Cable - diameter:	½" (6,25 mm)	
Flag - material:	Yellow nylon	
Flag - max distance between flag:	72"	
Counterweights:	BAA13-01: 50 lb EAA05-01: 50 lb	
Counterweights - dimensions:	BAA13-01 only: 24" x 18" x 6" EAA05-01 only: 17.25" x 17.25" x 8.35"	
Counterweights - material:	BAA13-01: recycled rubber EAA05-01: hot dipped galvanized cast iron with glued 0.120" (3 mm) EPDM membrane	
Posts:	Anodized 6061-T6 aluminum	
Posts - outside diameter:	1,9"	
Posts - inside diameter:	1,610"	
Clamps - material:	Malleable cast iron with hot-dip galvanizing & electroplating	
Clamps - hardware:	Stainless steel	
Clamps - tightening torque:	30 lb/pi	
Application:	Permanent, temporary	
Design patent:	#162630 (BAA13-01)	
Warranty:	10-year	
Complies with:	RSST: 354.1	OSHA: 1926.502(f)

COMPONENTS




Cable clamp
Terminates the cable after it has been cut to the correct length.
#ITEM: DAA27-01
Material: galvanized steel



Intermediate post clamp
This dual connector connects two straight sections of a warning line.
ITEM: GA167-01
Material: malleable cast iron with hot-dip galvanizing & electroplating



Corner post clamp
This connector connects two warning line sections and creates a 90° corner.
ITEM: GA168-01
Material: malleable cast iron with hot-dip galvanizing & electroplating



Extremity clamp
This connector is used at the beginning and end of each permanent warning line. It can be installed on an independent vertical post or on a Delta Prevention guardrail section.
ITEM: GA173-01
Material: malleable cast iron with hot-dip galvanizing & electroplating



GUARDRAILS FOR ACCESS LADDER

The guardrail kit for access ladder improves safety around these very common access points. Delta Prevention has developed a set of guardrails that can be adapted to all ladders and types of roof.

FEATURES

- No damage to the roof, as 100% non-penetrating
- Quick and easy installation
- Can be installed on roofs with or without a parapet
- Anodized aluminum finish prevents paint peeling
- High adhesion recycled rubber bases
- Compliance report available
- Ultimate resistance to rust and deterioration caused by rain, temperature changes and acidic environments
- 10-year warranty

VSS CLASSIC INSTALLATION



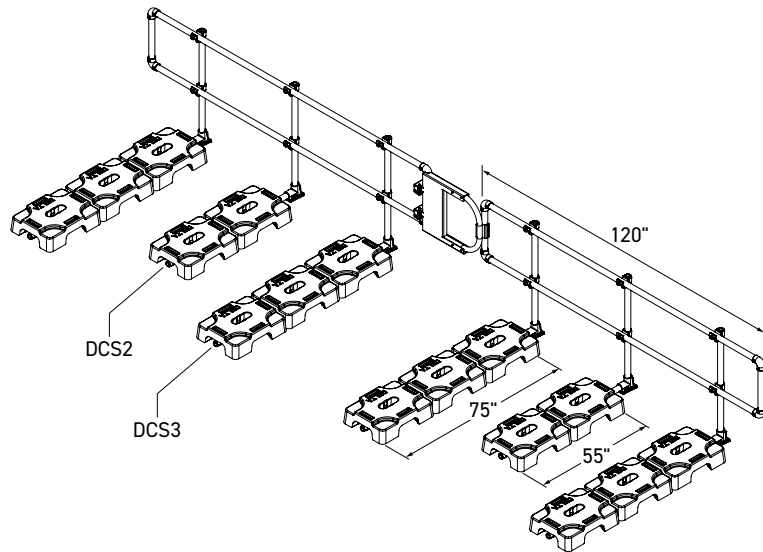
Access ladders going up or down a roof of more than 10' high inevitably place you in a dangerous position as described in all standards. There is always a risk of losing balance when ascending or descending backwards in the ladder. Thanks to the access ladder guardrail, you can protect 10' (3 m) on each side of the access ladder, ensuring the safety of your operations.

VSS COMPACT INSTALLATION



The VSS Compact access ladder guardrail protects 10' on each side of the access ladder and creates a traffic corridor leading to the center of the roof. Because they share the same components, the VSS Safetyline permanent warning line connects perfectly to the access ladder guardrail to create flawless fall protection.

TYPES OF INSTALLATION



LDK2CL01*

TECHNICAL SHEET

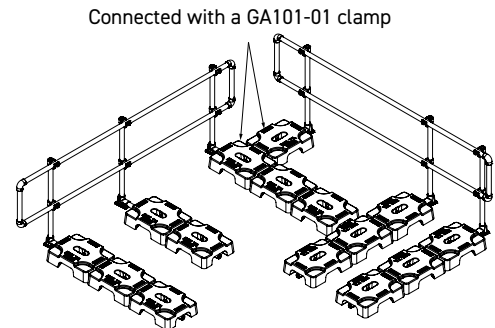
#ITEM LDK2CL01

Length:	10' (3 m)/side
Height:	42"
Maximum distance between posts:	78"
Full height return:	Not required
Counterweights:	DCS1: 50 lb DCS2: 100 lb DCS3: 150 lb
Counterweights - dimensions:	DCS1: 42" x 18" x 6" DCS2: 55" x 18" x 6" DCS3: 75" x 18" x 6" BAA13-01 only: 24" x 18" x 6"
Counterweight - material:	BAA13-01: recycled rubber
Rails & posts:	6061-T6 anodized aluminum
Rails & posts - outside diameter:	1,9"
Rails & posts - inside diameter:	1,610"
Clamps - material:	Malleable cast iron with hot-dip galvanizing & electroplating
Clamps - tightening torque:	30 lb/pi
Compatible with VSS Safetyline:	Yes
Application:	Permanent, temporary
Design patent:	#162630
Complies with:	RSST: 12 CNB: 4.1.5.14 CSA Z259.18:19 OSHA: 1926.502, 1926.501 Ontario Building Code: 4.1.5.14 WorkSafeBC: 11.2
Warranty:	10-year

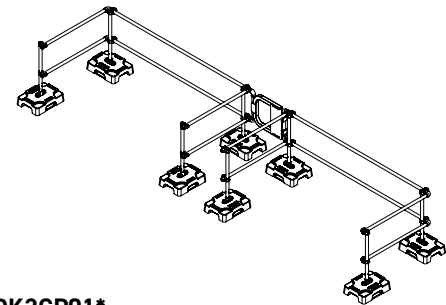
* Self-closing adjustable Safety Gate not included.

** New or existing ladder. Ladder not included. The connection detail with the ladder and its compliance is to be confirmed.

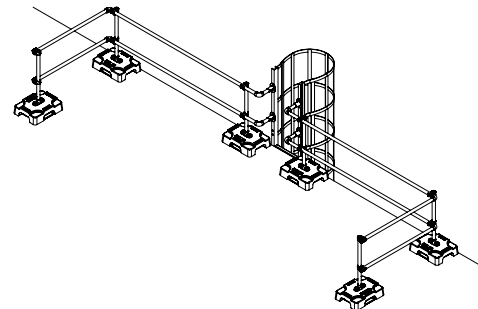
PRE-CONFIGURATIONS



LADKIT-CL-2SC
Kit for corner access ladder



LDK2CP01*
Kit for access ladder - 2 sides (2 x 10')



Kit for access ladder - 2 sides connected to ladder**

ACCESSORIES



Self-closing adjustable Safety Gate

The adjustable safety gate adds extra protection by closing automatically behind you after use, blocking access to the ladder.

Opening: 24" to 36"

ITEM: GAT24A02
Material: Aluminum



GUARDRAILS FOR ROOF ACCESS HATCH

The roof hatch guardrail protects access to the hatch and provides handholds to increase safety entering or exiting the ladder. This guardrail also prevents falls into the hatch when it is left open.

FEATURES

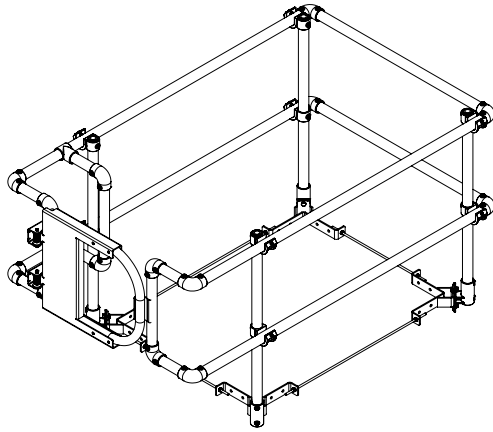
- Adapts to access hatches of all sizes
- Attaches to the hatch without damaging the roof membrane
- Lightweight and rust resistant aluminum railing
- Self-closing adjustable safety gate included
- Handle for easy entry and exit included
- Quick and easy installation
- 10-year warranty
- Made in Canada
- Complies with NBC, OSHA standards

HOW IT WORKS

Thanks to the design developed in-house exclusively for this application, the Delta Prevention's access hatch guardrail kit can be easily installed on access hatches of all styles and sizes. Thanks to integrated rubber pads, the clamp-on installation is safe for the membrane and is 100% perforation-free. The same clamp also allows for bolted installation if necessary.

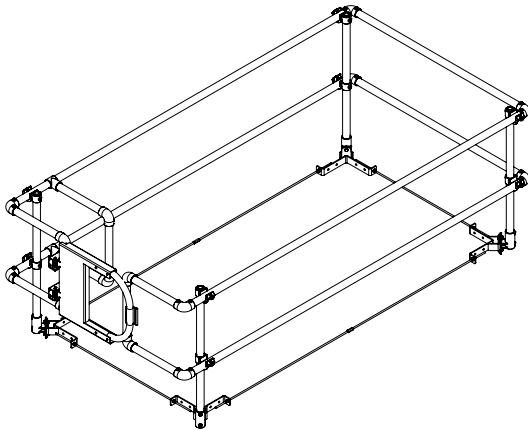


TYPES OF INSTALLATION



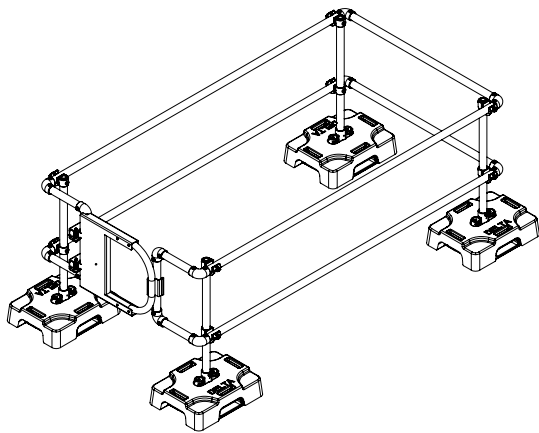
ITEM # HGKTSF01

Guardrail kit for access hatch of up to 36" x 48"



ITEM # HGKTOS01

Guardrail kit for access hatch of up to 104" x 52"



COUNTERWEIGHTED GUARDRAIL KIT

Configured according to your needs!

TECHNICAL SHEET

ITEM # HGKTSF01

(installed on a roof hatch of 36" x 48")

Length:	78.82"
Guardrail height:	42"
Overall width:	48.55"
Landing zone depth:	18.5"
Safety gate opening:	24" - 36"
Rails & posts:	6061-T6 anodized aluminum
Rails & posts - outside diameter:	1,9"
Rails & posts - inside diameter:	1,610"
Clamps - material:	Malleable cast iron with hot-dip galvanizing & electroplating
Clamps - hardware:	Stainless steel
Clamps - tightening torque:	30 lb/pi
Application:	Permanent
Warranty:	10 year

Complies with:
 RSST: 12
 CNB: 4.1.5.14
 OSHA: 1926.502, 1926.501
 Ontario Building Code: 4.1.5.14
 WorkSafeBC: 11.2

ACCESSORIES



Grab handle

The handle can be installed easily on the guardrail kit to further increase safety when exiting or entering the ladder.

ITEM: HGGBAR01
 Material: Aluminum



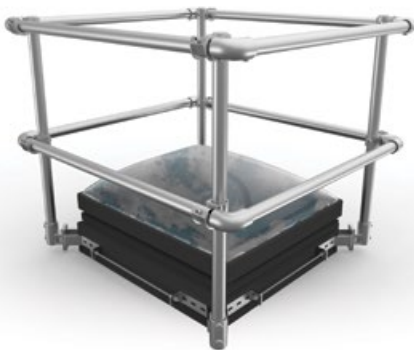
GUARDRAILS FOR SKYLIGHTS

Installing a guardrail around skylights on your roof provides optimal safety for workers who need to visit the roof. In fact, according to NBC standard 2.9.2 and OSHA 1926.501(b)(4)(i), all working/walking surface must be protected by a guardrail, including skylights. Are you compliant?

FEATURES

- Tailor-made to your needs
- No damage to the roof because 100% non-penetrating
- Anodized aluminum railing
- Highly adherent recycled rubber base
- Ultimate resistance to rust and deterioration caused by rain, temperature changes and acidic environments
- Quick and easy installation
- Compliance report available
- 10-year warranty
- Made in Canada
- Complies with NBC, OSHA standards

TWO POSSIBILITIES



CLAMP STYLE

Economical and versatile, it can be installed on all skylights with a minimum vertical surface area of 2".

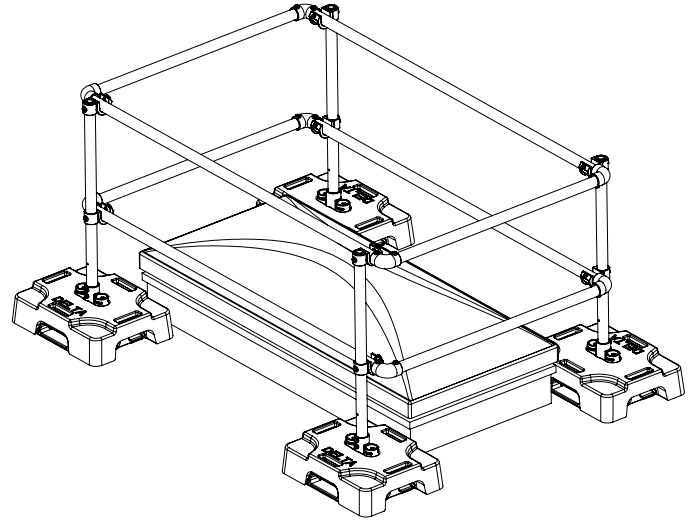
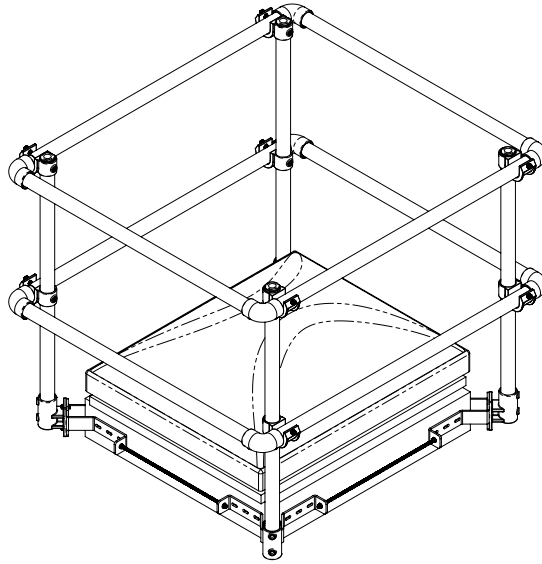


COUNTERWEIGHT STYLE

Simple and quick to install, it provides safety around your low-profile skylights or those with a side of more than 9' (108").

TYPES OF INSTALLATION

Clamp-on system			On counterweight	
Up to 29" x 29"	Up to 42" x 42"	Up to 62" x 62"	34" X 55" maximum	54" X 75" maximum
SGTR2901	SGTR4201	SKYKIT-TR-62	SKYKIT-CW-55	SKYKIT-CW-75



TECHNICAL SHEET

Guardrail for skylight on counterweight

Height:	42"
Maximum distance between posts:	120"
Counterweights:	CPA20002: 100 lb BAA13-01 only: 50 lb EAA05-01 only: 50 lb
Counterweights - dimensions:	CPA20002: 24" x 18" x 6" BAA13-01 only: 24" x 18" x 6" EAA05-01 only: 17.25" x 17.25" x 8.35"
Counterweights - material:	BAA13-01: recycled rubber EAA05-01: hot dipped galvanized cast iron with glued 0.120" (3 mm) EPDM membrane
Rails & posts:	6061-T6 anodized aluminum
Rails & posts - outside diameter:	1,9"
Rails & posts - inside diameter:	1,610"
Clamps - material:	Malleable cast iron with hot-dip galvanizing & electroplating
Clamps - hardware:	Stainless steel
Clamps - tightening torque:	30 lb/pi (GA201: 20 lb/pi)
Application:	Permanent, temporary
Design patent:	#162630
Complies with:	RSST: 12 NBC: 4.1.5.14 OSHA: 1926.502, 1926.501 Ontario Building Code: 4.1.5.14 WorkSafeBC: 11.2
Warranty:	10 year



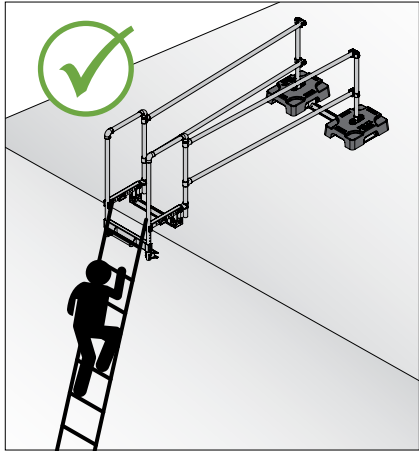
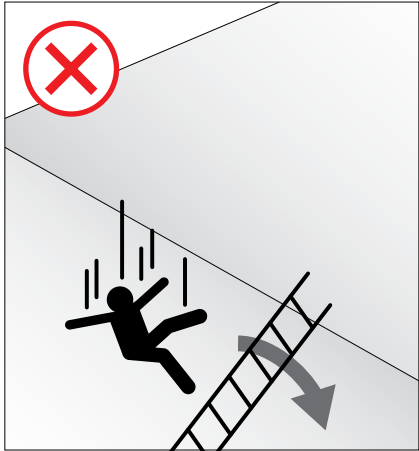
**PATENT
PENDING**

LADDER STABILIZER SYSTEM

Delta Prevention's ladder stabilizer system is designed to create safe access to roofs accessible by an extension ladder. The versatile and patented system can be installed without anchoring in a few minutes on flat roofs with or without a parapet.

FEATURES

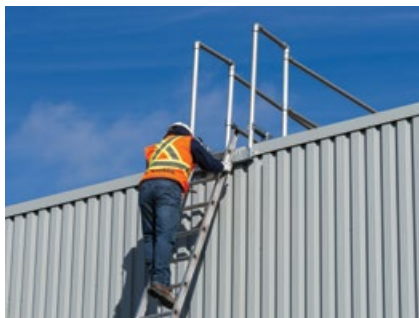
- 100% non-penetrating
- For roofs with or without parapet
- Lightweight, rust resistant aluminum pipes
- Steel stabilizer with anti-corrosion powder coating
- Quick and easy installation
- Patent Pending
- Permanent or temporary installation
- Made in Canada



Hooks compatible with ladders with round or "D" rungs up to 2" in diameter. This design allows the ladder to be hung from any angle and prevents accumulations of snow or ice.

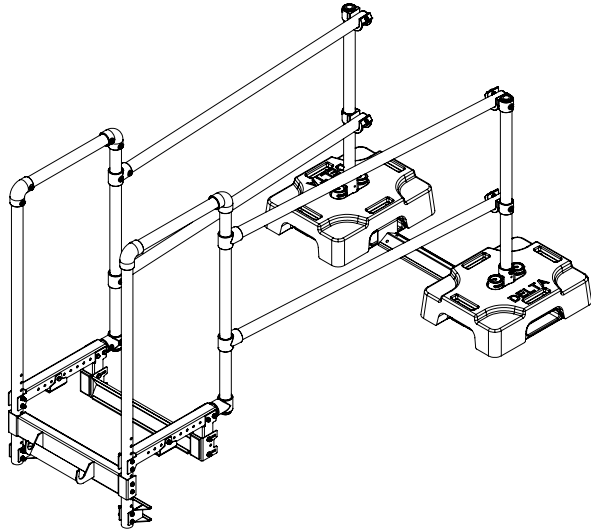


The parapet clamp provides unparalleled stability and adjustment for installations on roof with parapet.

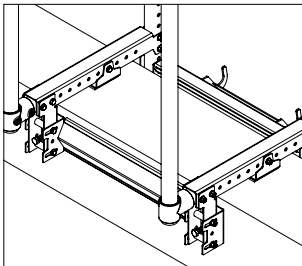


The extensions provide a solid grip and the guardrails lead the worker towards the center of the roof.

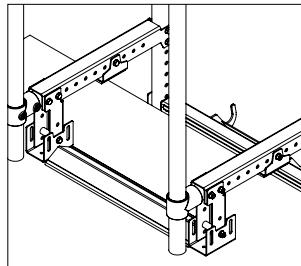
CONFIGURATION TYPES



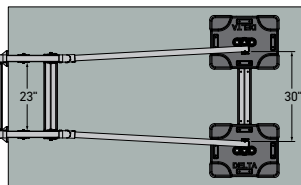
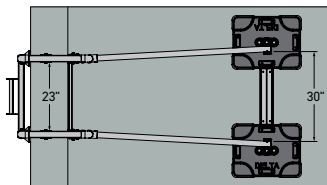
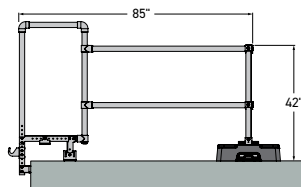
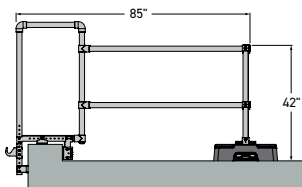
ITEM # LADPT101
Ladder Stabilizer System



The adjustable clamp and adjustment screw allow precise installation on the parapet.



The clamp turns into a support point on roofs without a parapet wall.

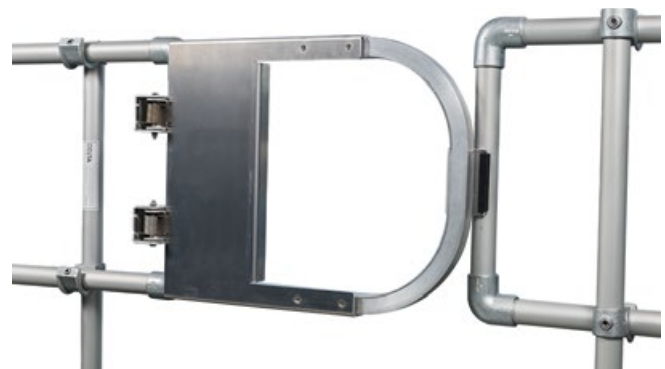


TECHNICAL SHEET

Overall length:	145" (can be trimmed to a minimum of 85")
Height:	42"
Inside width - entrance:	23"
Inside width - exit:	28"
Parapet - maximum width:	12"
Parapet - maximum height:	24" *
Parapet - minimum height:	6"
Material - parapet clamp:	Powder coated steel with e-coat
Material - guardrail:	Anodized aluminum
Counterweights:	CPA20002: 100 lb BAA13-01 only: 50 lb EAA05-01 only: 50 lb
Counterweights - dimensions:	CPA20002: 24" x 18" x 6" BAA13-01 only: 24" x 18" x 6" EAA05-01 only: 17.25" x 17.25" x 8.35"
Counterweights - material:	BAA13-01: recycled rubber EAA05-01: hot dipped galvanized cast iron with glued 0.120" (3 mm) EPDM membrane
Total weight:	337.5 lb
Ladder - compatibility:	Aluminum, fiberglass
Ladder - compatible rungs:	Round, "D" shaped
Ladder - maximum rung diameter:	2"
Ladder - minimum inside width:	12"
Ladder - maximum side rail width:	4"

* For a parapet higher than 24", contact our customer service.

ACCESSORIES



Self-closing safety gate

ITEM: GAT24A02
Material: Aluminum



CROSSOVER PLATFORM

Delta Prevention's crossover platforms allow you to step over pipes, parapets or level changes that are present on your roof. Made in Canada and designed to be assembled without any welding, Delta Prevention's crossover platforms will make traffic on your roof safer while increasing productivity.

FEATURES

- 100% non-penetrating
- Aluminum construction
- Standard width: 32"
- Step depth: 10"
- Step with non-slip surface
- Assembled only with hardware (no welding)
- Shipped pre-assembled
- Made in Canada

WHY INSTALL A CROSSOVER PLATFORM?

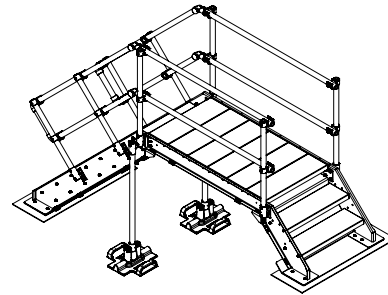
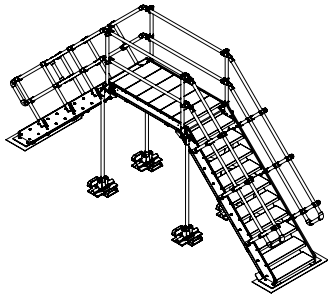
Increase productivity while protecting employees and equipment by improving access to hard-to-reach places with a crossover platform.

A crossover platform allows a worker to safely cross obstacles instead of having to go around or through them. A well-positioned crossover platform can also protect equipment from damage caused by foot traffic, reducing maintenance costs and unproductive downtime.



TYPES OF CONFIGURATIONS

FOR OBSTACLES ON THE SAME ROOF LEVEL **TO CROSS BETWEEN ROOF LEVELS**



STANDARD DIMENSIONS

HEIGHT #1	PLATFORM	HEIGHT #2				
		24"	36"	48"	60"	72"
24"	40"	C0244024	C0364024	C0484024	C0604024	C0724024
	50"	C0245024	C0365024	C0485024	C0605024	C0725024
	60"	C0246024	C0366024	C0486024	C0606024	C0726024
36"	40"	C0364024	C0364036	C0484036	C0604036	C0724036
	50"	C0365024	C0365036	C0485036	C0605036	C0725036
	60"	C0366024	C0366036	C0486036	C0606036	C0726036
48"	40"	C0484024	C0484036	C0484048	C0604048	C0724048
	50"	C0485024	C0485036	C0485048	C0605048	C0725048
	60"	C0486024	C0486036	C0486048	C0606048	C0726048
60"	40"	C0604024	C0604036	C0604048	C0604060	C0724060
	50"	C0605024	C0605036	C0605048	C0605060	C0725060
	60"	C0606024	C0606036	C0606048	C0606060	C0726060
72"	40"	C0724024	C0724036	C0724048	C0724060	C0724072
	50"	C0725024	C0725036	C0725048	C0725060	C0725072
	60"	C0726024	C0726036	C0726048	C0726060	C0726072

NON-STANDARD DIMENSIONS

To get a quote for a crossover platform outside our standard dimensions, simply provide us with the dimensions of the obstacle that correspond to your situation.



TECHNICAL SHEET

Step width:	32" (812.8 mm)
Overall width:	54.75" (1390 mm)
Step depth:	10" (254 mm)
Distance between steps:	7.5" (190.5 mm)
Maximum height (platform to ground):	72" (1828.8 mm)
Maximum platform length:	60" (1524 mm)
Material - steps:	Aluminum 5052-H32
Material - risers:	Aluminum 5052-H32
Material - hardware:	Stainless steel (18-8 SS)
Material - clamps:	Malleable cast iron with hot-dip galvanizing & electroplating
Material - rails & posts:	6061-T6 anodized aluminum
Rails & posts - outside diameter:	1.9" (50.8 mm)
Capacity - platform:	Tested up to 2235 lb
Capacity - steps (vertical linear load):	Tested up to 580 lb



SELF-CLOSING SAFETY GATE

Self-closing gates are the best solutions to prevent falls in access points such as stairs or ladders by closing areas to workers or pedestrians. Delta Prevention's GAT24A02 self-closing gate is made in aluminum in Canada and is designed in compliance to OSHA standards. In stock and ready to go, these self-closing gates should be part of any rooftop guardrail project or industrial safety application.

FEATURES

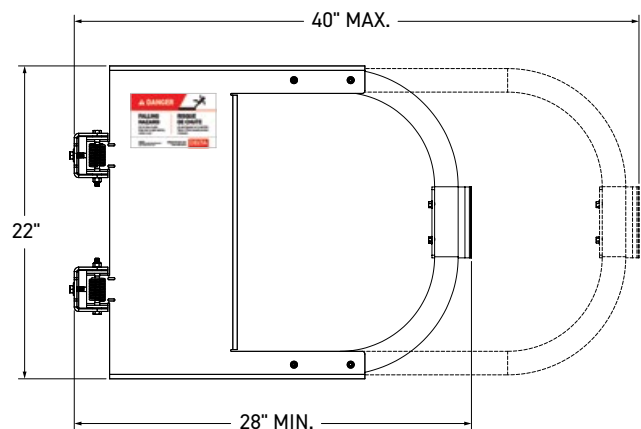
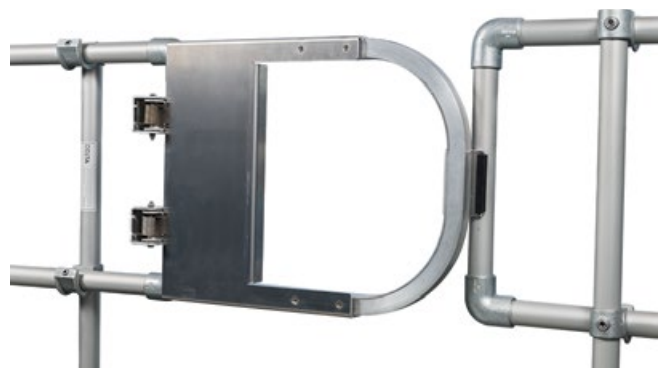
- Adjustable from 24" to 36"
- Robust spring hinge
- Aluminum construction
- Fits 2" round or square posts
- Made in Canada

APPLICATIONS

Self-closing safety gates can be installed:

- Between the guardrails protecting roof access ladders
- In guardrail for roof access hatch
- On extension ladder stabilizer system

The gate should allow access and act as the continuity of the guardrail when closed. Self-closing safety gates can also secure access to industrial mezzanines, catwalk or pedestrian walkway on the shop floor.





Edmonton, AB, Canada



Vernon, BC, Canada



NON-PENETRATING ROOF MOUNT

The Delta Prevention non-penetrating roof mount allows you to install a variety of equipment on your roof without any perforation of the roofing membrane. It is quick to deploy, designed for outdoor use and can be engineered according to your needs.

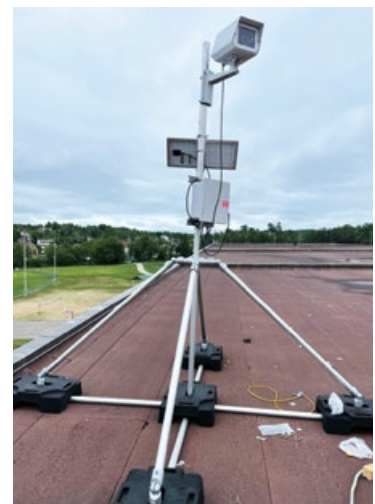
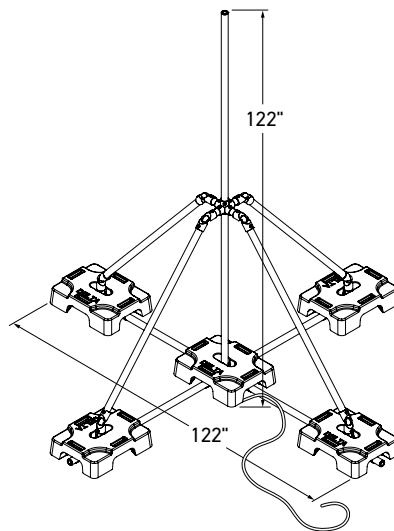
FEATURES

- Standard mast up to 10' (3 m)
- Anodized 6061-T6 aluminum pipes
- Recycled rubber counterweights
- Integrated safety cable
- Can be dismantled
- Made in Canada
- Custom models available. Contact us!

APPLICATIONS

The Delta Prevention non-penetrating roof mount can be adapted to several applications:

- Security camera
- Jobsite surveillance camera
- Wi-Fi bridge
- Lightweight satellite antenna



TECHNICAL SHEET

10' (3 m) mast

Mast height:	122" (3098 mm)
Dimensions:	122" (3098 mm) x 120" (3048 mm)
Designed for an equipment of:	30 lb
Counterweight:	5 x BAA13-01 (50 lb)
Counterweight - dimensions:	24" x 18" x 6"
Counterweight - material:	Recycled rubber

Rails & posts:	6061-T6 anodized aluminum
Rails & posts - outside diameter:	1,9"
Rails & posts - inside diameter:	1,610"
Clamps - material:	Malleable cast iron with hot-dip galvanizing & electroplating
Clamps - tightening torque:	30 lb/pi
Total weight of system:	348 lb

SLIDING GATE



The unloading of material on your roof must be done safely. Whether with a forklift or a lifting jib, there are risks. Having an unloading area equipped with a sliding gate can make this operation faster and much safer.

FEATURES

- 100% non-penetrating
- Maximum opening of 10' (3 m)
- Ergonomic handle located inside the guardrail
- Compliance report available
- 10-year warranty
- Made in Canada
- Complies with the standards of the National Building Code (NBC)

Can be adapted to your need or integrated into a project. Contact us for more information!

SWING GATE



The swing gate is ideal for separating two work areas or creating an unloading area on a roof or mezzanine.

FEATURES

- 100% non-penetrating
- Maximum opening of 10' (3 m)
- Locking pin included
- Compliance report available
- 10-year warranty
- Made in Canada
- Complies with the standards of the National Building Code (NBC)

Can be adapted to your need or integrated into a project. Contact us for more information!

SNOW REMOVAL GUARDRAIL



Installing a snow chute will improve the safety of snow removal operations on your roof. By creating a dedicated area to push snow off the roof, workers will be safe and the snow will end up where you choose!

FEATURES

- 100% non-penetrating
- Removable or movable intermediate rail
- Standard height (42"/1070 mm) or customized to the height of your parapet
- 10-year warranty
- Made in Canada
- Complies with the standards of the National Building Code (NBC)

Can be adapted to your need or integrated into a project. Contact us for more information!

MANUAL HOISTING AREA



If you need to hoist material to the roof manually, it is essential that your workers are safe. An area dedicated to manual hoisting configured to your needs will therefore be essential!

FEATURES

- 100% non-penetrating
- Front overhang and length according to your needs
- Optional toe board
- 10-year warranty
- Made in Canada
- Complies with the standards of the National Building Code (NBC)

Can be adapted to your need or integrated into a project. Contact us for more information!

COLOR OPTIONS

Whether it is to make your fall protection systems more visible or to respect the architectural appearance of your building, we offer various color options for our systems.



PAINT

We use ultra durable liquid paint and carry particular attention to the packaging of components when they are leaving the factory. For your installation to be perfect, we include one or more cans of touch-up paint.

Standard colors: Black, safety yellow



ANODIZING

A technology that ensures a unique architectural look and a superior scratch resistance. Anodizing offers a more limited color range than paint.

Additional fees and delays apply.

MATERIAL



GALVANIZED STEEL

If the operations at the installation site are not compatible with aluminum, it is possible to deliver our systems in galvanized steel.



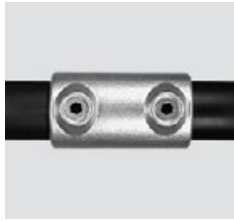
FIBERGLASS

If the electrical transmission at the installation site is a concern, we can replace the aluminum pipes with fiberglass pipes.

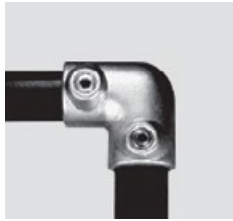
Additional fees and delays apply.

AVAILABLE CLAMPS

Contact our customer service department for inventory and other available models.



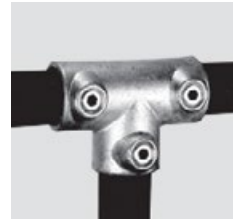
GA010-01



GA090-01



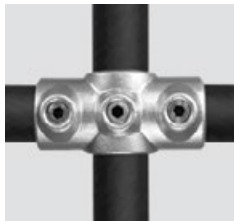
GA101-01



GA104-01



GA116-01



GA119-01



GA125-01



GA128-01



GA131-01



GA132-01



GA135-01



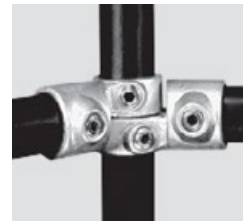
GA143-01



GA144-01



GA145-01



GA148-01



GA161-01



GA167-01



GA168-01



GA169-02



GA173-01



GA173-02



GA176-01



GA179-01



GA200-01



GA201-01



GA300-01



GA301-01

STANDARDS

Delta Prevention meets and exceeds every Canadian fall protection standards for guardrails and warning line. Independently tested, all our fall protection systems are engineered to meet or exceed every National or Provincial regulations when installed according to the manufacturer's Installation Guide.

Every system is delivered with:

- Compliance Report (upon request)
- Installation Guide
- 10 year Manufacturer's Warranty (ask us for more details)

NON-PENETRATING GUARDRAIL STANDARDS

Ontario fall protection regulation

Source: Canadian National Building Code & Ontario Building Code

4.1.5.14. Loads on Guards

1. The minimum specified horizontal load applied inward or outward at the minimum required height of every required guard shall be,

- a. 3.0 kN/m for open viewing stands without fixed seats and for means of egress in grandstands, stadia, bleachers and arenas,
- b. a concentrated load of 1.0 kN applied at any point for access ways to equipment platforms, contiguous stairs and similar areas where the gathering of many people is improbable, and
- c. 0.75 kN/m or a concentrated load of 1.0 kN applied at any point, whichever governs for locations other than those described in Clauses (a) and (b).

2. Individual elements within the guard, including solid panels and pickets, shall be designed for a load of 0.5 kN applied over an area of 100 mm by 100 mm located at any point in the element or elements so as to produce the most critical effect.

3. The loads required in Sentence (2) need not be considered to act simultaneously with the loads provided for in Sentences (1) and (4).

4. The minimum specified load applied vertically at the top of every required guard shall be 1.5 kN/m and need not be considered to act simultaneously with the horizontal load provided for in Sentence (1).

5. For loads on handrails, refer to Sentence 3.4.6.5.(12).

Roof access hatch

Construction Projects

Reg. 213/91

Section 26.3

26.3 (1) Despite paragraph 1 of section 26, a guardrail system that meets the requirements of this section shall be used if a worker has access to the perimeter or an open side of any of the following work surfaces and may be exposed to a fall of 2.4 metres or more:

1. A floor, including the floor of a mezzanine or balcony.
 2. The surface of a bridge.
 3. A roof while formwork is in place.
 4. A scaffold platform or other work platform, runway or ramp.
- (2) One of the following precautions shall be used to prevent a worker from falling through an opening on a work surface:
1. A guardrail system that meets the requirements of this section.
 2. A protective covering that,
 3. completely covers the opening,
 4. is securely fastened,
- iii. is adequately identified as covering an opening,
1. is made from material adequate to support all loads to which the covering may be subjected, and
 2. is capable of supporting a live load of at least 2.4 kilonewtons per square metre without exceeding the allowable unit stresses for the material used.

Section 40

40. (1) No material shall be stored, stacked or piled closer than 1.8 metres to,

- (a) an opening in a floor or roof;
- (b) the open edge of a floor, roof or balcony; or
- (c) an excavation.

(2) Subsection (1) does not apply with respect to material in a building or a completely enclosed part of a building that is used solely for storing and distributing materials.

(3) Subsection (1) does not apply with respect to small masonry units including bricks, blocks and similar objects,

- (a) that can be handled by one worker;
- (b) that are to be used at the edge of a floor, a roof, an excavation or an opening in a floor or roof; and
- (c) that are stacked in a pile whose height is less than the distance from the face of the pile to the edge of the floor, roof, excavation or opening in a floor or roof.

Industrial Establishments

R.R.O. 1990, Reg. 851

"Section 13

13. (1) Subject to subsection (2), there shall be a guardrail,

- (a) around the perimeter of an uncovered opening in a floor, roof or other surface to which a worker has access;
- (b) at an open side of,
 - (i) a raised floor, mezzanine, balcony, gallery, landing, platform, walkway, stile, ramp or other surface, or
 - (ii) a vat, bin or tank, the top of which is less than 107 centimetres above the surrounding floor, ground, platform or other surface; and
- (c) around a machine, electrical installation, place or thing that is likely to endanger the safety of any worker.

(2) Subsection (1) does not apply to,

- (a) a loading dock;
- (b) a roof to which access is required only for maintenance purposes;
- (c) a pit used for;
 - (i) work on an assembly line, or
 - (ii) maintenance of vehicles or similar equipment; and
- (d) a conveyor or similar system that transports a vehicle or vehicle part, and any raised platform used with the conveyor or similar system, if a guardrail would,
 - (i) obstruct the passage of the vehicle or vehicle part,
 - (ii) prevent a worker from performing work, or
 - (iii) pose a hazard to a worker.
- (3) If there is no guardrail in a situation described in subsection (2), an employer shall develop and implement other measures and procedures to protect workers from the hazard of falling.

Section 14

14. (1) A guardrail shall,

- (a) have a top rail located not less than 91 and not more than 107 centimetres above the surface to be guarded;
- (b) have a mid rail;
- (c) if tools or other objects may fall on a worker, have a toe-board that extends from the surface to be guarded to a height of at least 125 millimetres; and
- (d) be free of splinters and protruding nails.

(2) A guardrail shall be constructed to meet the structural requirements for guards as set out in the Building Code.

Section 15

15. A cover on an opening in a floor, roof or other surface shall be,

(a) secured in place; and

(b) constructed to meet the structural requirements for loads due to the use of floors and roofs as set out in the Building Code."

BC fall protection regulations

Source: Worksafe BC

11.2 Obligation to use fall protection

1. Unless elsewhere provided for in this Regulation, an employer must ensure that a fall protection system is used when work is being done at a place

- a. from which a fall of 3 m (10 ft) or more may occur, or
- b. where a fall from a height of less than 3 m involves a risk of injury greater than the risk of injury from the impact on a flat surface.

2. The employer must ensure that guardrails meeting the requirements of Part 4 (General Conditions) or other similar means of fall restraint are used when practicable.

3. If subsection (2) is not practicable, the employer must ensure that another fall restraint system is used.

4. If subsection (3) is not practicable, the employer must ensure that one of the following is used:

- a. a fall arrest system;
- b. a rope access system that meets the requirements of Part 34.

5. If subsection (4) is not practicable, or will result in a hazard greater than if a fall arrest system or a rope access system was not used, the employer must ensure that work procedures are followed that are acceptable to the Board and minimize the risk of injury to a worker from a fall.

6. Before a worker is allowed into an area where a risk of falling exists, the employer must ensure that the worker is instructed in the fall protection system for the area and the procedures to be followed.

7. A worker must use the fall protection system provided by the employer.

B.C. Reg. 296/97

Roof access hatch

"Section 4.59 Floor and roof openings

4.59 (1) A pit or other opening in a floor, walkway, roof or other area accessible to workers, which is a danger to workers, must be securely covered with a cover of adequate size and strength or guarded by fixed or movable guardrails, which must be identified as such and kept in place except when necessarily removed to work in the opening or pit.

(2) If compliance with subsection (1) is not practicable for a vehicle service pit, the area around the perimeter of the pit must be marked in a high visibility colour extending back at least 1 m (3.3 ft) from the edge of the pit, and the marking coating or material must provide a skid resistant surface.

(3) Subsection (1) does not apply to a trap door in a performance stage or scenic unit that will be visible to the audience during a rehearsal or performance, provided that effective measures are taken to protect performers and other workers from injury.

(4) If a worker must enter an area not normally accessible and that has openings that are a danger, such openings must be guarded or personal fall protection must be used while the worker is in the area.

Section 4.60 Toeboards

4.60 (1) Floor openings, elevated walkways and platforms must have toeboards if there is a danger from tools, materials, equipment and debris falling off the edge of the work surface, or there is a danger of slipping off the work surface due to the environment or work practices being used.

(2) The top of a toeboard must be at least 10 cm (4 in)

above the floor or platform, and the space between the bottom of the toeboard and the floor or platform must not exceed 13 mm (½ in).

(3) If material is stacked or stored on a platform or walkway, or near a floor opening, toeboards must be increased in height or solid or mesh panels of appropriate height must be installed to prevent the material from falling.

(4) Subsections (1) and (2) do not apply to a walkway or a platform that is on a performance stage or scenic unit and will be visible to the audience during a rehearsal or performance, provided that effective measures are taken to protect performers and other workers from injury.

Section 20.116 Protection from falling materials

20.116 (1) If falling material could endanger a worker, the danger area must be guarded to prevent entry by workers or protected by adequate canopies.

(2) A floor or roof opening through which material may fall and endanger workers must be adequately covered.

Section 24.85 Deck openings

24.85 (1) Deck openings and hatches on a fishing vessel must be

- (a) equipped with an effective means of securing them, and
- (b) closed and secured when it is not essential to the fishing operation that they be open.

(2) When deck openings and hatches are required to be open for ventilation or other purposes, they must be marked and guarded."

Alberta fall protection regulations

Source: Alberta Occupational Health and Safety Code 2009 Alta. Reg. 87/2009

Part 9 Fall Protection

Roof Access Hatch

Section 138 Rescue personnel exemption

138. Rescue personnel involved in training or in providing emergency rescue services may use equipment and practices other than those specified in this Part.

Section 139 General protection

139. (1) An employer and a supervisor, or a self-employed person, must ensure that a worker is protected from falling if a worker may fall,

- (a) at a temporary or permanent work area, a vertical distance of 3 metres or more,
- (b) at a temporary or permanent work area, a vertical distance of less than 3 metres if there is an unusual possibility of injury,
- (c) at a temporary or permanent work area, into or onto a hazardous substance or object, or through an opening in a work surface, or
- (d) at a permanent work area, a vertical distance of more than 1.2 metres and less than 3 metres.

(2) For the purposes of this section, there is an unusual possibility of injury if the injury may be worse than an injury from landing on a solid, flat surface.

(3) Subject to subsection (5), an employer or a self-employed person must install a guardrail.

(4) Repealed. [Alta. Reg. 56/2018, s. 12]

(5) Subject to subsection (6), if the use of a guardrail is not reasonably practicable, an employer and a supervisor, or a self-employed person, must ensure that a worker uses a travel restraint system that meets the requirements of this Part.

(6) Subject to subsection (7), if the use of a travel restraint system is not reasonably practicable, an employer and a supervisor, or a self-employed person, must ensure that a worker uses a personal fall arrest system that meets the requirements of this Part.

(7) If the use of a personal fall arrest system is not reasonably practicable, an employer and a supervisor, or a self-employed person, must ensure that a worker uses an equally effective fall protection system.

(8) A worker must use a fall protection system as required by this section.

Section 314 Covering openings

314. (1) An employer must ensure that an opening or hole through which a worker can fall is protected by

- (a) a securely attached cover designed to support an anticipated load, or
- (b) guardrails and toe boards.

(2) If a person removes a cover, guardrail or toe board, or any part thereof, protecting an opening or hole for any reason, an employer must ensure a temporary cover or other means of protection replaces it immediately.

(3) If a temporary cover is used to protect an opening or hole, an employer must ensure a warning sign or marking clearly indicating the nature of the hazard

- (a) is posted near or fixed on the cover, and
- (b) is not removed unless another effective means of protection is immediately provided.

Section 315 Guardrails

315. (1) An employer must ensure that a guardrail required by this Code

- (a) has a horizontal top member installed between 920 millimetres and 1070 millimetres above the base of the guardrail,
- (b) has a horizontal, intermediate member spaced mid way between the top member and the base,
- (c) has vertical members at both ends of the horizontal members with intermediate vertical supports that are not more than 3 metres apart at their centres, and
- (d) is constructed of lumber that is 38 millimetres by 89 millimetres or of material with properties the same as or better than those of lumber.

(2) Despite subsection (1), a temporary guardrail does not require a horizontal intermediate member if it has a substantial barrier positioned within the space bounded by the horizontal top member, toe board and vertical members, that prevents a worker from falling through the space.

(3) An employer must ensure that a guardrail is secured so that it cannot move in any direction if it is struck or if any point on it comes into contact with a worker, materials or equipment.

Manitoba fall protection regulations

Source: Manitoba Workplace Safety and Health Act and Regulation 2014

Guardrail system requirements

14.3 Subject to section 14.6, an employer must ensure that a guardrail system is used where there is a risk of a worker falling in any of the circumstances set out in subsection 14.1(1).

Guardrail requirements

14.4(1) An employer must ensure that a guardrail

- a. is at least 900 mm high and not more than 1,060 mm above the working surface, with an intermediate rail at between 450 and 530 mm above the working surface; and
- b. is constructed and secured to resist a static load of 900 N in any direction in which the load may be applied at any point on the top rail and on any intermediate rail.

14.4(2) A guardrail must have a toe board securely fastened to the posts and extending from the surface of the working area to a height of at least 125 mm when there is a risk of falling objects.

14.4(3) If a guardrail is made from wood, it must

- a. be free from splinters and protruding nails; and
- b. have a top and mid rail of at least 38 mm × 89 mm securely supported on posts of at least 38 mm × 89 mm and spaced at not more than 2.4 m.

Temporary guardrail removal

14.5 An employer may temporarily remove a guardrail when it is necessary to do so to facilitate work in the immediate area. The employer must ensure that any worker in the area uses a fall protection system while the guardrail is removed.

WARNING LINE STANDARDS

Control zone

Source: Alberta Occupational Health and Safety Code 2009

Section 161 Control zones

The use of a control zone is an approach to fall protection that places special requirements on workers and work being performed on a nearly level working surface within 2 metres of an unguarded edge from which a worker could fall. Control zones can be used on surfaces having a slope of up to 4 degrees measured from the horizontal.

If a worker works within 2 metres of the control zone i.e. within 4 metres of the unguarded edge, a raised warning line or equally effective means is required. If a worker works within the control zone, then a travel restraint system must be used. A control zone cannot be used if the level working surface on which work is being performed is less than 4 metres wide. In such circumstances, one of the other methods of fall protection required by the OHS Code must be used.

Work away from unguarded edge

Situations may arise where, on a large flat roof for example, work is performed at a significant distance away from an unguarded edge e.g. at a penthouse near the centre of the roof. With the exception of when workers enter or leave the work area at an unguarded edge, workers have no contact with the edge. Upon accessing the roof, workers must proceed directly to their work area. Under such circumstances, a line defining a control zone is unnecessary, as are the remaining requirements for fall protection that would normally apply at the unguarded edge.

Line defining the control zone

If a worker works within 2 metres of the control zone i.e. within 4 metres of the unguarded edge, a raised warning line or equally effective means of alerting the worker to the unguarded edge is required (see Figure 9.25). The raised warning line or other equally effective means such as barricades must be placed at least 2 metres from the edge. The warning method provides a visual and physical reminder of the presence of the hazard.

For compliance purposes, a raised warning line can consist of ropes, wires or chains, and supporting stanchions, and should be

- a. flagged or marked with highly visible materials at intervals that do not exceed 2 metres (6.5 feet),
- b. rigged and supported so that the lowest point (including sag) is not less than 0.9 metres (34 inches) from the walking or working surface and its highest point is not more than 1.2 metres (45 inches) from the walking or working surface,
- c. attached to each stanchion in such a way that pulling on one section of the line between stanchions will not result in slack being taken up in the adjacent section before the stanchion tips over, and
- d. the rope, wire or chain must have a minimum tensile strength of 2.2 kN (500 lbs).

An "equally effective method" might be a substantial barrier e.g. pile of materials or supplies, tall parapet, building system pipes and ducts, etc. that is positioned between the worker and the unguarded edge, preventing the worker from getting to the edge. Since this substantial barrier is acting as a guardrail, it must at all time be at least 920 millimetres (36 inches) tall while the protected worker is using it.

SKYLIGHT FALL PROTECTION STANDARDS

Regulation respecting occupational health and safety S-2.1, r.13

Article 14

Floor: Any floors shall be:

- (4) free from any opening capable of causing an accident, unless they are protected with a guardrail or a cover capable of withstanding loads to which they may be exposed.

Note: standards are constantly changing. Delta Prevention does not guarantee the validity of the standards described here at the time of reading. Always refer to official sources.

WARRANTY

Thank you for purchasing this Delta Prevention freestanding fall-protection system. In the event you need to use our warranty service on this product, please refer to the following terms and conditions.



1. STANDARD CONDITIONS

Delta Prevention guarantees that this product will be in good working order during the warranty period. In the event that the product is defective during the warranty period, Delta Prevention will replace the defective product/component free of charge (freight costs will be at the customer's expense).

2. WARRANTY PERIOD

The following table describes the limited warranty period for our products. The warranty begins on the date of purchase by the end customer. Any installation of 12 months or less will be considered temporary. The rental of Delta Prevention products will automatically be considered as a temporary use.

Type of product	Permanent installation	Temporary installation
VSS Classic/VSS Compact Guardrail	10 years	1 year
VSS SafetyLine	10 years	1 year

3. LIMITATIONS

The Delta Prevention warranty does not cover:

- Damage or defects caused by improper use or handling of the product as mentioned in the user manual and/or relevant user documents, including, without limitation, improper storage, falling, excessive impact, corrosion, acidic environment, dirt, water or damage caused by sand.
- Discoloration caused by sunlight or chemicals.
- The use of spare parts that are not supplied by Delta Prevention or that are not compatible with the product.
- Cost incurred by periodic inspections, repairs, spare parts or maintenance caused by normal wear and tear.
- Defects caused by modifications made without Delta Prevention's approval.
- Accidents, disasters or any cause beyond Delta Prevention's control, including but not limited to lightning, water, fire or public disturbance.

ADDITIONAL SERVICES



SUPPORT FOR SPECIFIERS

Architects, engineers or consultants: we are 100% available to help you specify or design a fall protection system that will comply with current standards.



ENGINEERING OF CUSTOM SOLUTION

Our team of engineers, technicians and industrial designers are available to adapt our systems to the realities and constraints specific to your project.



INSTALLATION COMPLIANCE REPORT

Together with our network of nationwide distributors, we can perform a site survey to ensure the conformity of an installation of a Delta Prevention system. Contact us to get a quote.

A NORTH AMERICAN NETWORK

Our network of North American distributors ensures fast and efficient service in all regions. Contact us to find the Delta Prevention distributor nearest you!



BECOME A SPECIALIST IN FALL PROTECTION SOLUTIONS

Follow us to see our latest projects, discover our new products, our special discounts and all the events where Delta Prevention showcases its solutions! We look forward to meeting you!



facebook.com/deltaprevention



linkedin.com/company/delta-prevention



youtube.com/delta-prevention



deltaprevention.com





VSS Classic Guardrail



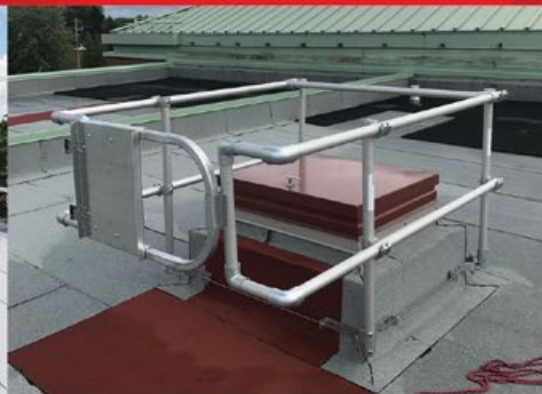
VSS Compact Guardrail



VSS Safety Line Permanent Warning Line



VSS Compact Guardrail and snow removal guardrail



Guardrail for Roof Access Hatch



VSS Compact Guardrail and VSS Safety Line Permanent Warning Line



Guardrail for Skylight



VSS Classic Guardrail



Ladder Stabilizer System



1-844-855-4273

info@deltaprevention.com | www.deltaprevention.com
4000A place de Java, Brossard, QC, J4Y 0C4

© Delta Prevention 2023. All rights reserved.