



# GUARDRAILS FOR ACCESS LADDER

The guardrail kit for access ladder improves safety around these very common access points. Delta Prevention has developed a set of guardrails that can be adapted to all ladders and types of roof.

## FEATURES

- No damage to the roof, as 100% non-penetrating
- Quick and easy installation
- Can be installed on roofs with or without a parapet
- Anodized aluminum finish prevents paint peeling
- High adhesion recycled rubber bases
- Compliance report available
- Ultimate resistance to rust and deterioration caused by rain, temperature changes and acidic environments
- 10-year warranty

## VSS CLASSIC INSTALLATION



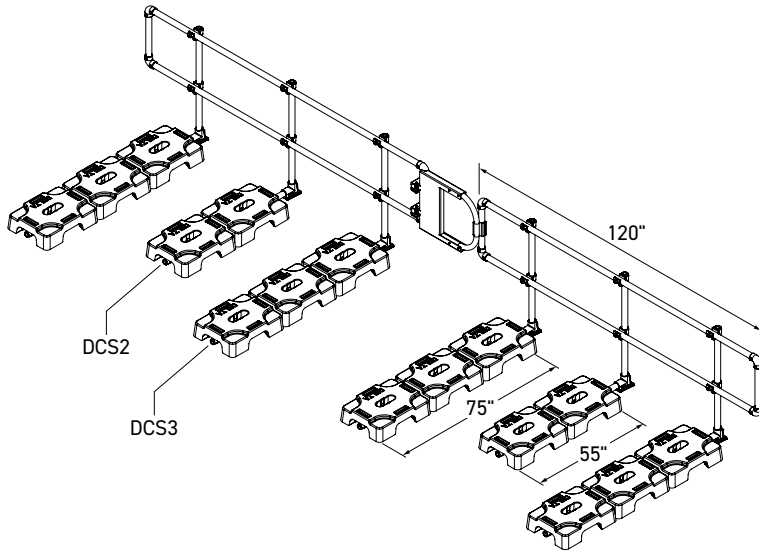
Access ladders going up or down a roof of more than 10' high inevitably place you in a dangerous position as described in all standards. There is always a risk of losing balance when ascending or descending backwards in the ladder. Thanks to the access ladder guardrail, you can protect 10' (3 m) on each side of the access ladder, ensuring the safety of your operations.

## VSS COMPACT INSTALLATION



The VSS Compact access ladder guardrail protects 10' on each side of the access ladder and creates a traffic corridor leading to the center of the roof. Because they share the same components, the VSS Safetyline permanent warning line connects perfectly to the access ladder guardrail to create flawless fall protection.

## TYPES OF INSTALLATION



LDK2CL01\*

## TECHNICAL SHEET

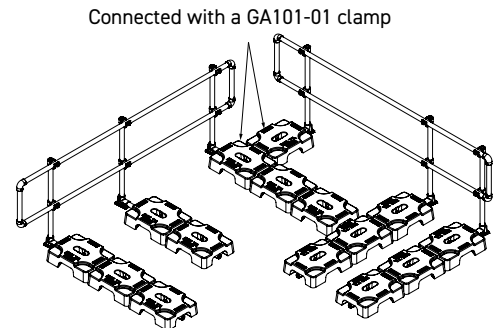
### #ITEM LDK2CL01

<b>Length:</b>	10' (3 m)/side
<b>Height:</b>	42"
<b>Maximum distance between posts:</b>	78"
<b>Full height return:</b>	Not required
<b>Counterweights:</b>	DCS1: 50 lb DCS2: 100 lb DCS3: 150 lb
<b>Counterweights - dimensions:</b>	DCS1: 42" x 18" x 6" DCS2: 55" x 18" x 6" DCS3: 75" x 18" x 6" BAA13-01 only: 24" x 18" x 6"
<b>Counterweight - material:</b>	BAA13-01: recycled rubber
<b>Rails &amp; posts:</b>	6061-T6 anodized aluminum
<b>Rails &amp; posts - outside diameter:</b>	1,9"
<b>Rails &amp; posts - inside diameter:</b>	1,610"
<b>Clamps - material:</b>	Malleable cast iron with hot-dip galvanizing & electroplating
<b>Clamps - tightening torque:</b>	30 lb/pi
<b>Compatible with VSS Safetyline:</b>	Yes
<b>Application:</b>	Permanent, temporary
<b>Design patent:</b>	#162630
<b>Complies with:</b>	RSST: 12 CNB: 4.1.5.14 CSA Z259.18:19 OSHA: 1926.502, 1926.501 Ontario Building Code: 4.1.5.14 WorkSafeBC: 11.2
<b>Warranty:</b>	10-year

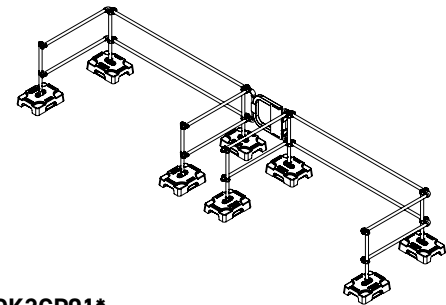
\* Self-closing adjustable Safety Gate not included.

\*\* New or existing ladder. Ladder not included. The connection detail with the ladder and its compliance is to be confirmed.

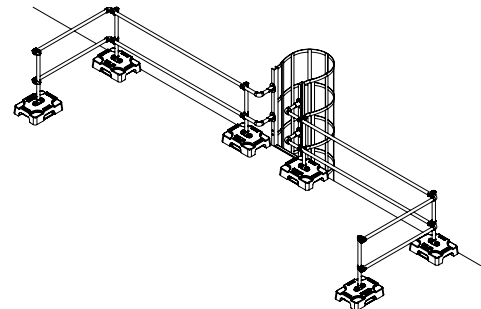
## PRE-CONFIGURATIONS



**LADKIT-CL-2SC**  
Kit for corner access ladder



**LDK2CP01\***  
Kit for access ladder - 2 sides (2 x 10')



Kit for access ladder - 2 sides connected to ladder\*\*

## ACCESSORIES



### Self-closing adjustable Safety Gate

The adjustable safety gate adds extra protection by closing automatically behind you after use, blocking access to the ladder.

Opening: 24" to 36"

# ITEM: GAT24A02  
Material: Aluminum