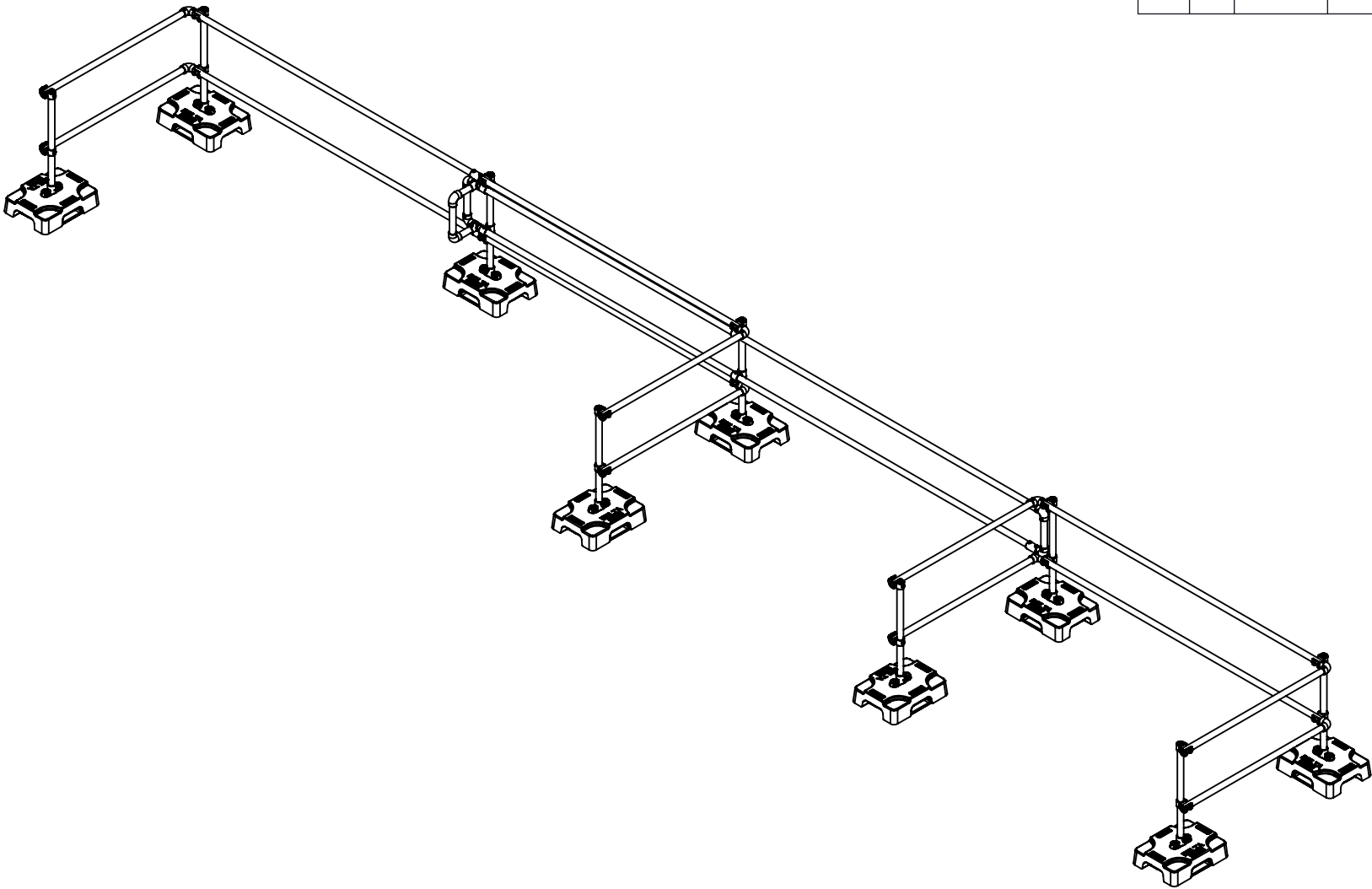



REVISIONS				
ZONE	REV.	DESCRIPTION	DATE	APPROVED
D1	1	FIRST RELEASE	2022-03-16	A.CARON



SLIDING GATE - INSTALLATION GUIDE
REVISION : 1
DOCUMENT NUMBER : N/A
DOCUMENT REVISION : 1

 4000 PLACE DE JAVA, LOCAL A, BROSSARD, QC J4Y 0C4 TEL: 1-866-856-0560 DELTAPREVENTION.COM/EN/	TITLE/TITRE: SLIDING GATE		
	PART NUMBER/NUMÉRO DE PIÈCE: INSTALLATION GUIDE	UNITS/UNITÉS: IMP.	REV: 1
	SIZE/FORMAT: A	SCALE/ÉCHELLE: 1:48	SHEETS/FEUILLES: 1 OF/DE 8

1

2

3

4

D

D

C

C

B

B

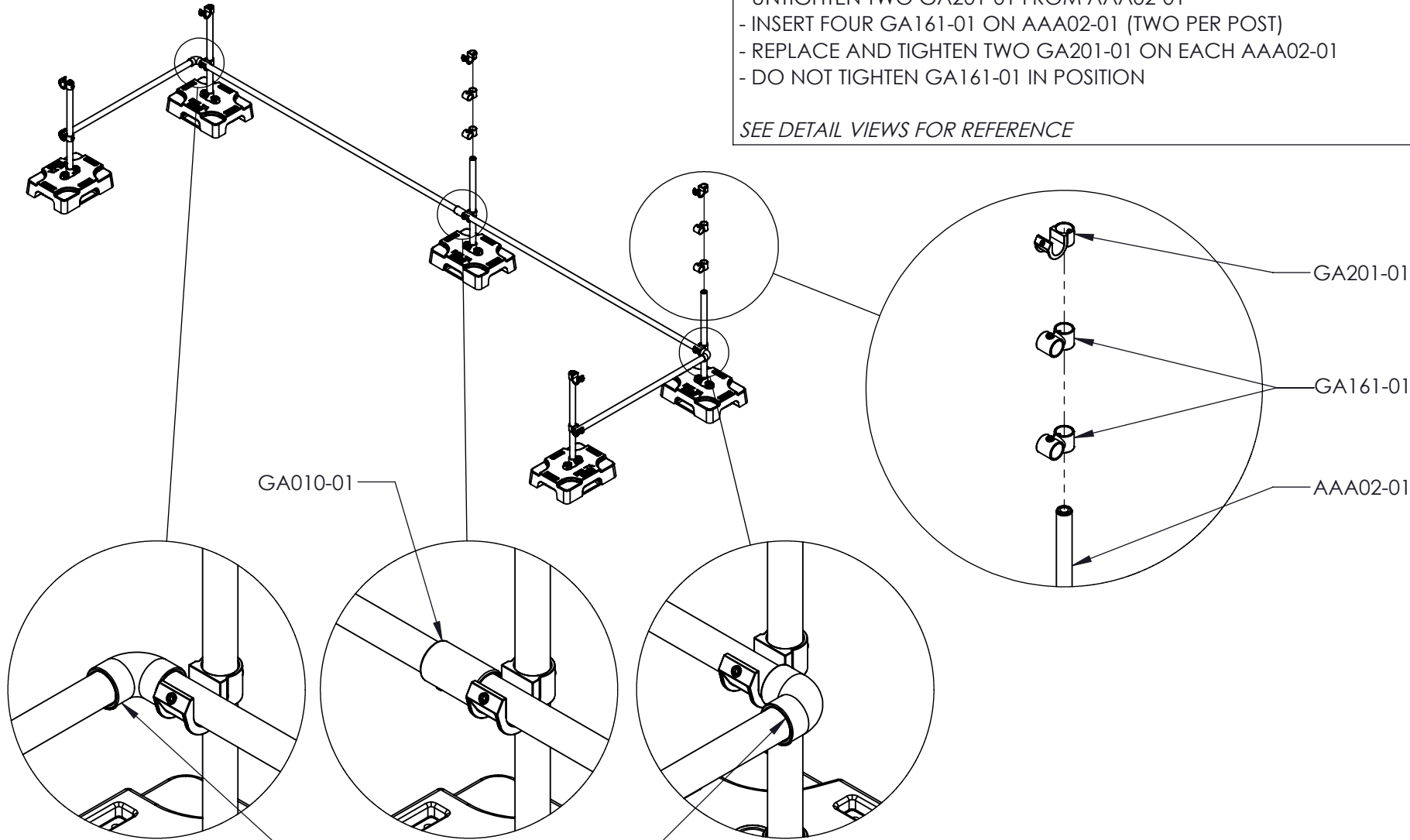
A

A

STEP 1 - SECTION

- ASSEMBLE 20' SECTION WITHOUT THE TOP RAIL
- SET SCREWS OF GA090-01 AND GA010-01 ARE FACING DOWN
- UNTIGHTEN TWO GA201-01 FROM AAA02-01
- INSERT FOUR GA161-01 ON AAA02-01 (TWO PER POST)
- REPLACE AND TIGHTEN TWO GA201-01 ON EACH AAA02-01
- DO NOT TIGHTEN GA161-01 IN POSITION

SEE DETAIL VIEWS FOR REFERENCE



4000 PLACE DE JAVA, LOCAL A, BROSSARD, QC J4Y 0C4
 TEL: 1-866-856-0560
 DELTAPREVENTION.COM/EN/

TITLE/TITRE: SLIDING GATE		
PART NUMBER/NUMÉRO DE PIÈCE: STEP 1 - SECTION	UNITS/UNITÉS: IMP.	REV: 1
SIZE/FORMAT: A	SCALE/ÉCHELLE: 1:48	SHEETS/FEUILLES: 2 OF/DE 8

1

2

3

4

1

2

3

4

D

D

C

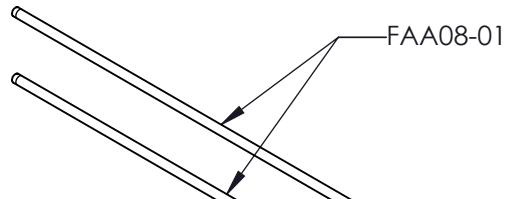
C

B

B

A

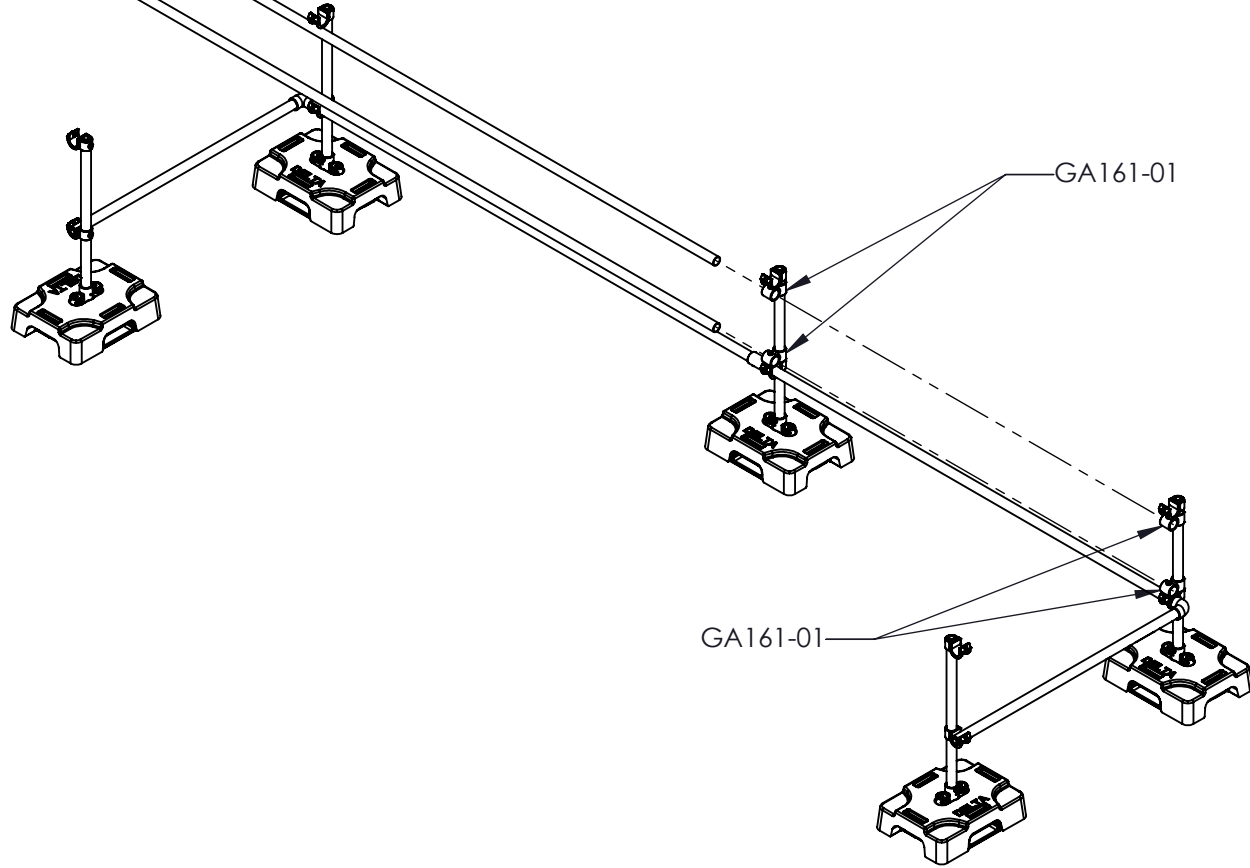
A



STEP 2 - FAA08-01

- INSERT BOTH FAA08-01 THROUGH BOTH GA161-01

SEE DETAIL VIEW FOR REFERENCE



4000 PLACE DE JAVA, LOCAL A, BROSSARD, QC J4Y 0C4
 TEL: 1-866-856-0560
 DELTAPREVENTION.COM/EN/

TITLE/TITRE: SLIDING GATE		
PART NUMBER/NUMÉRO DE PIÈCE: STEP 2 - FAA08-01	UNITS/UNITÉS: IMP.	REV: 1
SIZE/FORMAT: A	SCALE/ÉCHELLE: 1:36	SHEETS/FEUILLES: 3 OF/DE 8

1

2

3

4

1

2

3

4

D

D

C

C

B

B

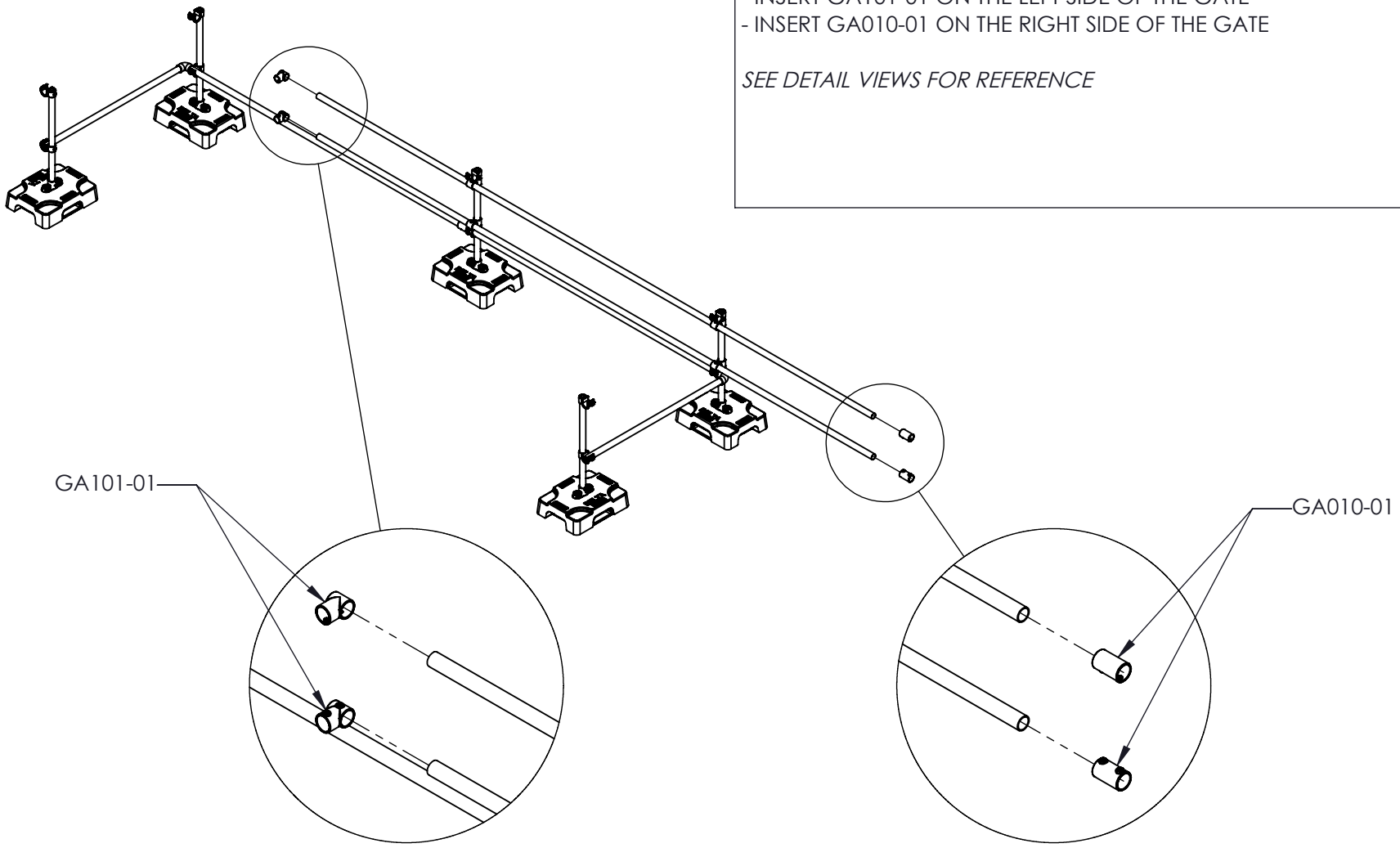
A

A

STEP 3 - GA101-01 & GA010-01

- INSERT GA101-01 ON THE LEFT SIDE OF THE GATE
- INSERT GA010-01 ON THE RIGHT SIDE OF THE GATE

SEE DETAIL VIEWS FOR REFERENCE



4000 PLACE DE JAVA, LOCAL A, BROSSARD, QC J4Y 0C4
 TEL: 1-866-856-0560
 DELTAPREVENTION.COM/EN/

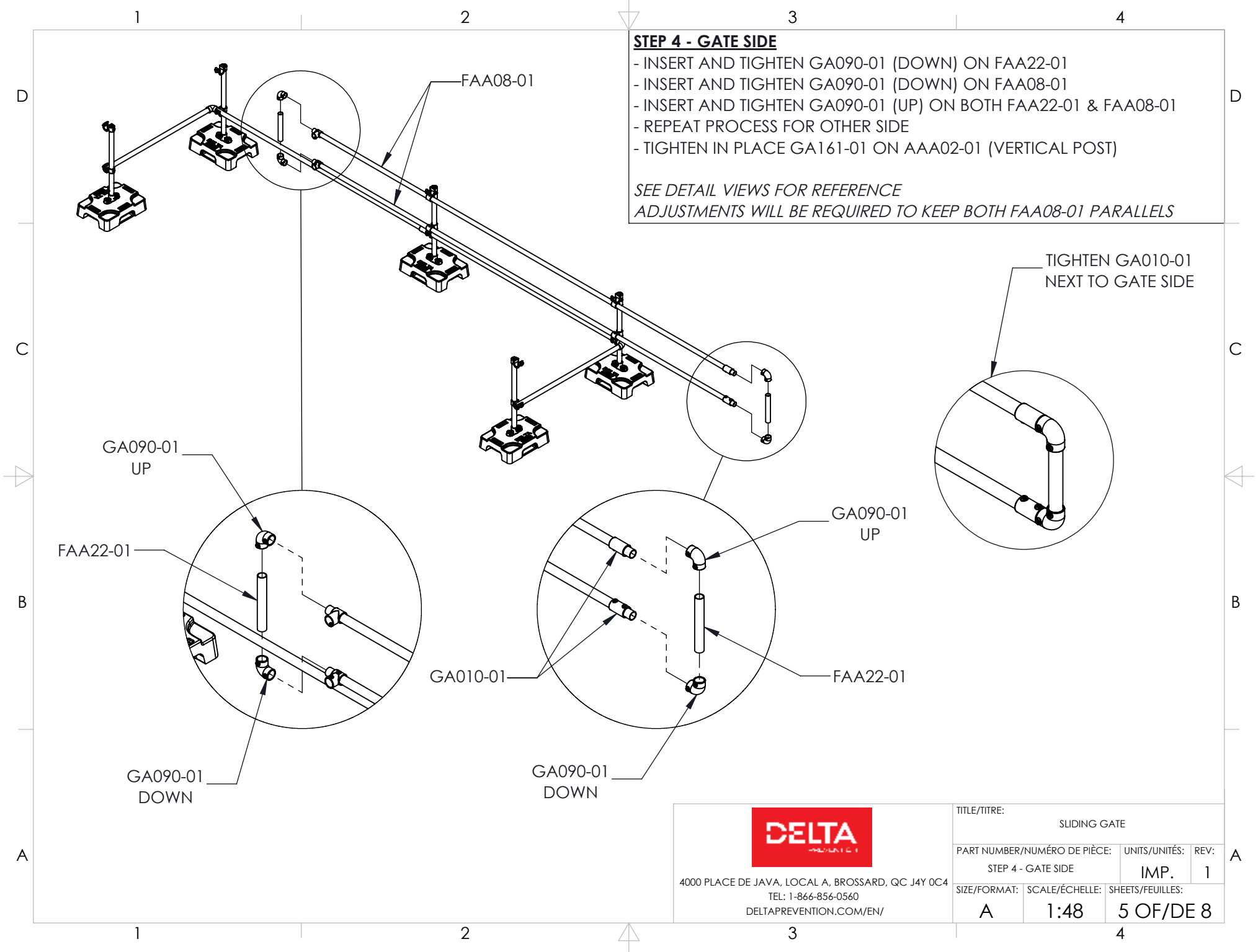
TITLE/TITRE: SLIDING GATE		
PART NUMBER/NUMÉRO DE PIÈCE: STEP 3 - GA101-01 & GA010-01	UNITS/UNITÉS: IMP.	REV: 1
SIZE/FORMAT: A	SCALE/ÉCHELLE: 1:48	SHEETS/FEUILLES: 4 OF/DE 8

1

2

3

4



STEP 4 - GATE SIDE

- INSERT AND TIGHTEN GA090-01 (DOWN) ON FAA22-01
- INSERT AND TIGHTEN GA090-01 (DOWN) ON FAA08-01
- INSERT AND TIGHTEN GA090-01 (UP) ON BOTH FAA22-01 & FAA08-01
- REPEAT PROCESS FOR OTHER SIDE
- TIGHTEN IN PLACE GA161-01 ON AAA02-01 (VERTICAL POST)

SEE DETAIL VIEWS FOR REFERENCE
 ADJUSTMENTS WILL BE REQUIRED TO KEEP BOTH FAA08-01 PARALLELS

TIGHTEN GA10-01
 NEXT TO GATE SIDE

GA090-01
 UP

FAA22-01

GA090-01
 DOWN

GA10-01

GA090-01
 DOWN

GA090-01
 UP

FAA22-01



4000 PLACE DE JAVA, LOCAL A, BROSSARD, QC J4Y 0C4
 TEL: 1-866-856-0560
 DELTAPREVENTION.COM/EN/

TITLE/TITRE: SLIDING GATE		
PART NUMBER/NUMÉRO DE PIÈCE: STEP 4 - GATE SIDE	UNITS/UNITÉS: IMP.	REV: 1
SIZE/FORMAT: A	SCALE/ÉCHELLE: 1:48	SHEETS/FEUILLES: 5 OF/DE 8

1

2

3

4

D

D

C

C

B

B

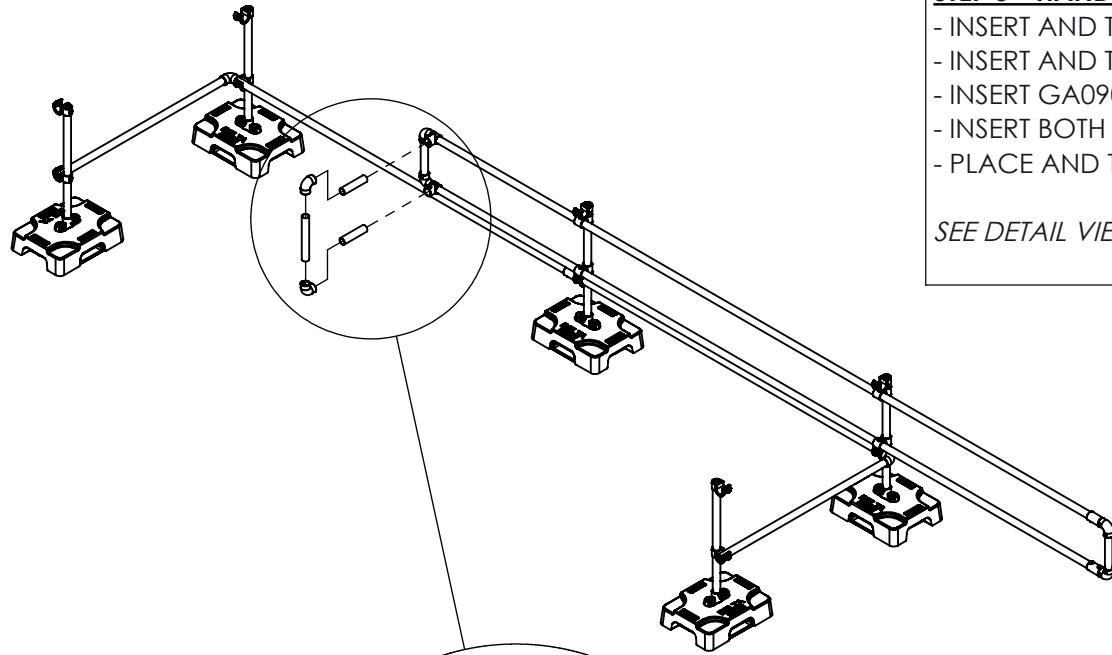
A

A

STEP 5 - HANDLE

- INSERT AND TIGHTEN FAA19-01 IN GA101-01
- INSERT AND TIGHTEN GA090-01 (DOWN) ON FAA22-01
- INSERT GA090-01 (UP) ON FAA22-01
- INSERT BOTH GA090-01 ON FAA19-01 AND TIGHTEN THEM
- PLACE AND TIGHTEN HANDLE NEXT TO THE SIDE

SEE DETAIL VIEWS FOR REFERENCE



GA090-01
(UP)

FAA22-01

GA090-01
(DOWN)

GA101-01

FAA19-01

HANDLE
ASSEMBLY & POSITION



4000 PLACE DE JAVA, LOCAL A, BROSSARD, QC J4Y 0C4
 TEL: 1-866-856-0560
 DELTAPREVENTION.COM/EN/

TITLE/TITRE: SLIDING GATE		
PART NUMBER/NUMÉRO DE PIÈCE: STEP 5 - HANDLE	UNITS/UNITÉS: IMP.	REV: 1
SIZE/FORMAT: A	SCALE/ÉCHELLE: 1:48	SHEETS/FEUILLES: 6 OF/DE 8

1

2

3

4

1

2

3

4

D

D

C

C

B

B

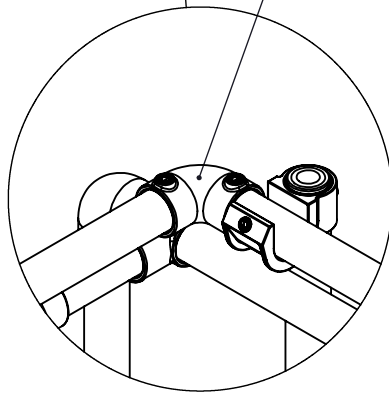
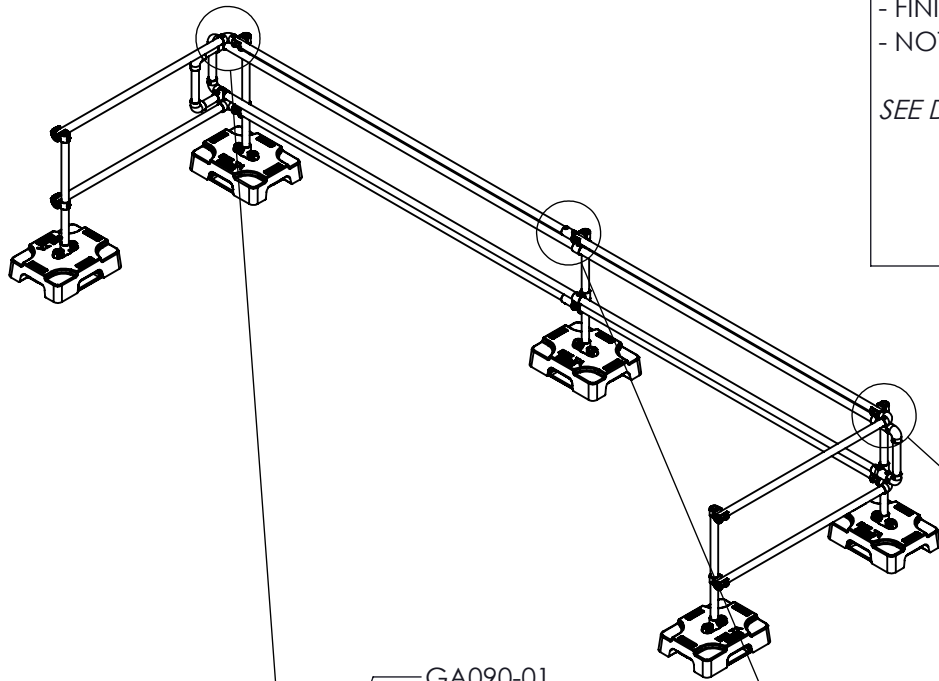
A

A

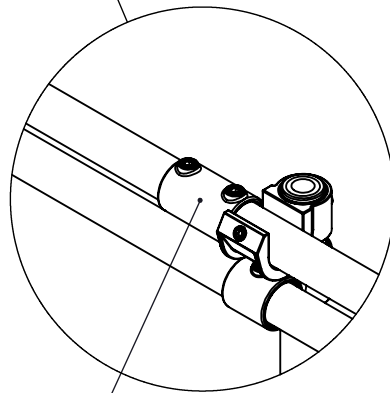
STEP 6 - TOP RAIL

- FINISH ASSEMBLING THE TOP RAIL OF THE 20' SECTION
- NOTE THAT BOTH GA090-01 AND GA010-01 SET SCREWS ARE FACING UP

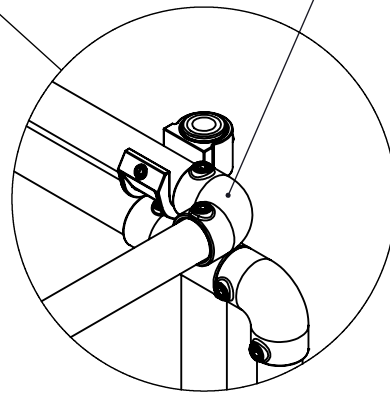
SEE DETAIL VIEWS FOR REFERENCE




GA090-01



GA010-01



GA090-01

	TITLE/TITRE: SLIDING GATE		
	PART NUMBER/NUMÉRO DE PIÈCE: STEP 6 - TOP RAIL	UNITS/UNITÉS: IMP.	REV: 1
4000 PLACE DE JAVA, LOCAL A, BROSSARD, QC J4Y 0C4 TEL: 1-866-856-0560 DELTAPREVENTION.COM/EN/	SIZE/FORMAT: A	SCALE/ÉCHELLE: 1:48	SHEETS/FEUILLES: 7 OF/DE 8

1

2

3

4

1

2

3

4

D

D

C

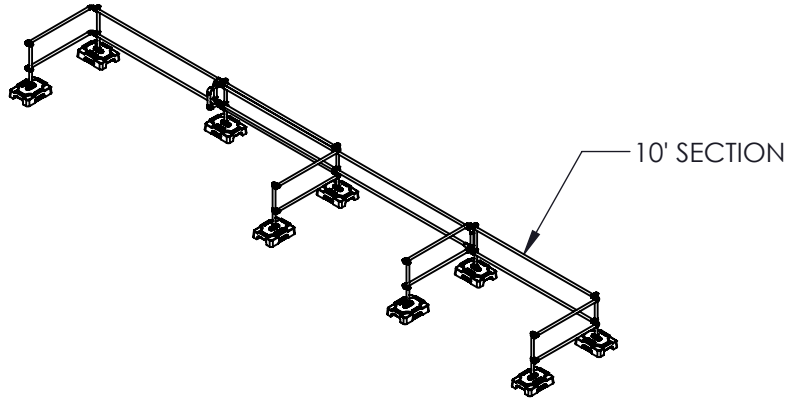
C

B

B

A

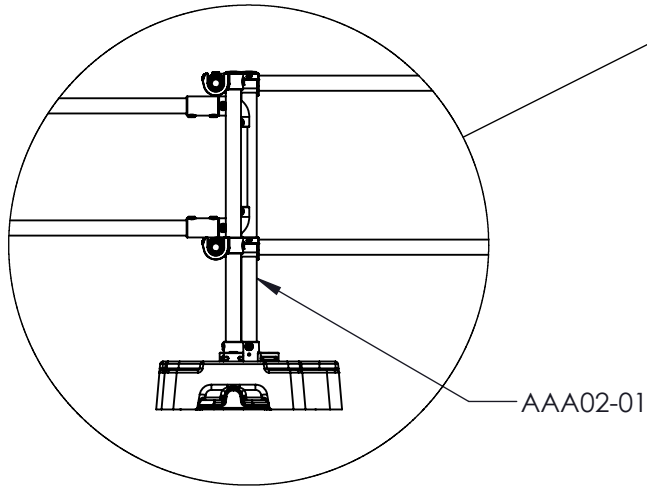
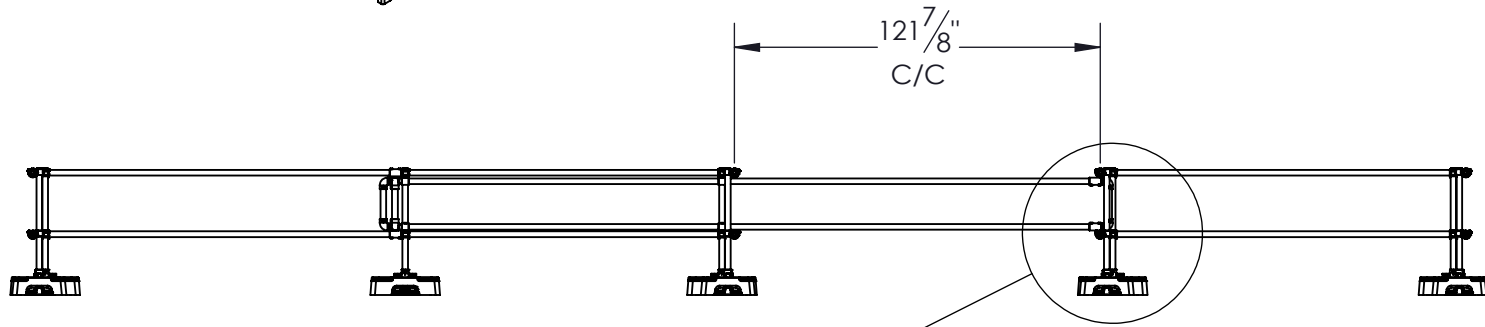
A




STEP 7 - POSITIONING

- ASSEMBLE 10' SECTION (RIGHT)
- POSITION THE GATE CLOSED AS SHOWN
- POSITION 10' SECTION SO THAT THE END OF THE GATE IS ALIGNED WITH AAA02-01 (VERTICAL POST)

SEE DETAIL VIEW FOR REFERENCE



	TITLE/TITRE: SLIDING GATE		
	PART NUMBER/NUMÉRO DE PIÈCE: STEP 7 - POSITIONING	UNITS/UNITÉS: IMP.	REV: 1
4000 PLACE DE JAVA, LOCAL A, BROSSARD, QC J4Y 0C4 TEL: 1-866-856-0560 DELTAPREVENTION.COM/EN/	SIZE/FORMAT: A	SCALE/ÉCHELLE: 1:64	SHEETS/FEUILLES: 8 OF/DE 8

1

2

3

4