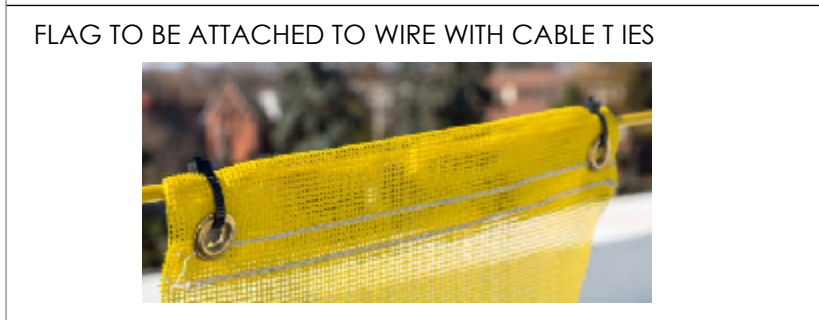
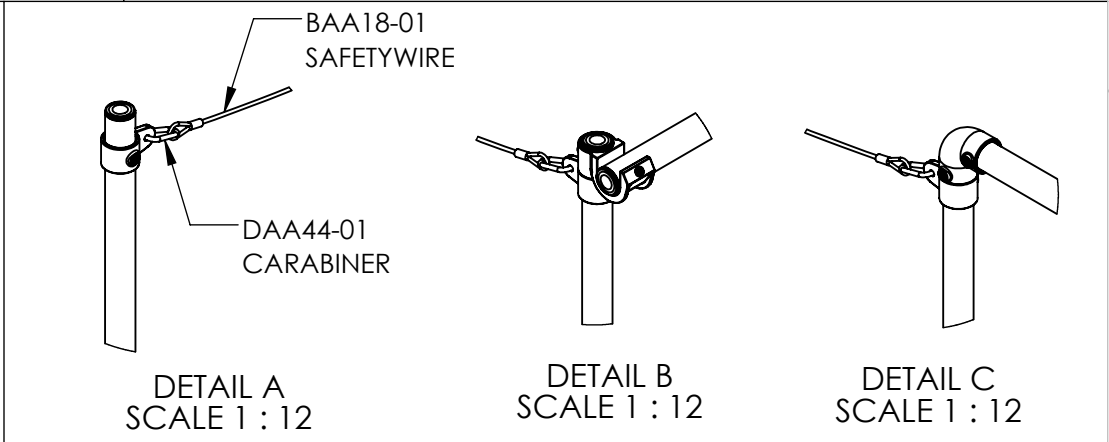
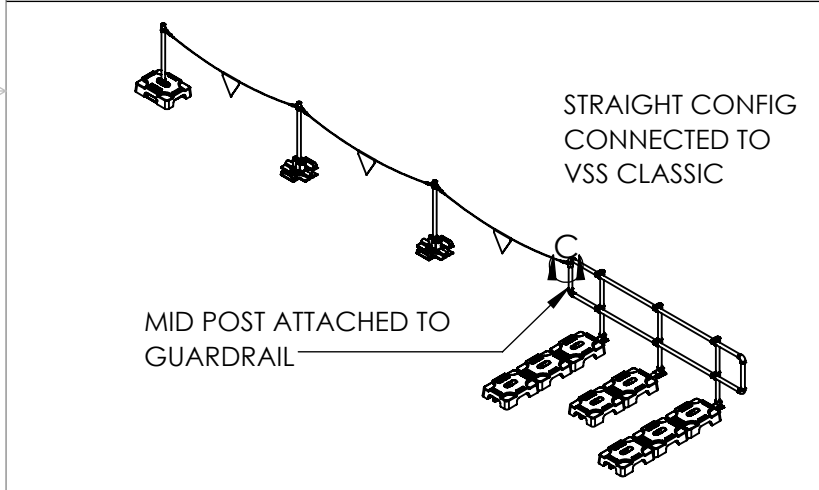


REVISIONS				
ZONE	REV.	DESCRIPTION	DATE	APPROVED
B4	1	1ST RELEASE	2020-08-04	D.WU



<p>THIRD ANGLE PROJECTION</p> <p>ALL DIMENSIONS ARE IN INCH TOUTES LES DIMENSIONS SONT EN POUCE</p> <p>UNLESS OTHERWISE NOTED SAUF INDICATION CONTRAIRE</p> <p>TOLERANCES/TOLÉRANCES:</p> <table border="0"> <tr> <td>DIM.</td> <td>ANG.</td> </tr> <tr> <td>X.X ±0.060"</td> <td>X ±3.00°</td> </tr> <tr> <td>X.XX ±0.030"</td> <td>X.X ±1.00°</td> </tr> <tr> <td>X.XXX ±0.015"</td> <td>X.XX ±0.50°</td> </tr> </table> <p>MACHINED SURFACE FINISH/FINI DE SURFACE MACHINÉ: Ra : 125 µin</p>	DIM.	ANG.	X.X ±0.060"	X ±3.00°	X.XX ±0.030"	X.X ±1.00°	X.XXX ±0.015"	X.XX ±0.50°	MATERIAL/MATERIEL: N/A	3D FILE NAME/NOM DE FICHER 3D: TYPICAL DETAIL DRAWINGS C - VSS SAFETYLINE RSST_REV.1	
	DIM.	ANG.									
X.X ±0.060"	X ±3.00°										
X.XX ±0.030"	X.X ±1.00°										
X.XXX ±0.015"	X.XX ±0.50°										
VOLUME/VOLUME: N/A	PAINTED/PEINTURÉ: N/A	<p>TITLE/TITRE: TYPICAL DETAIL DRAWING</p>									
EST WEIGHT/POIDS EST: 444.803 POUNDS	DRAWN BY/ DESSINÉ PAR: D.WU			PART NUMBER/NUMÉRO DE PIÈCE: RSST - VSS SAFETYLINE	REV: 1						
CHECKED BY/VÉRIFIÉ PAR: D.WU	SIZE/FORMAT: A	SCALE/ÉCHELLE: 1:96	SHEETS/FEUILLES: 1 OF/DE 2								

4

3

2

1

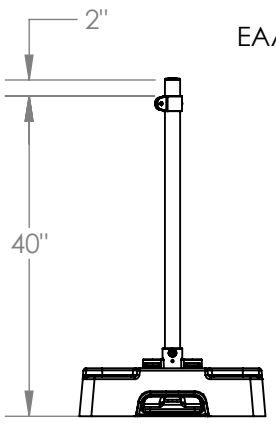
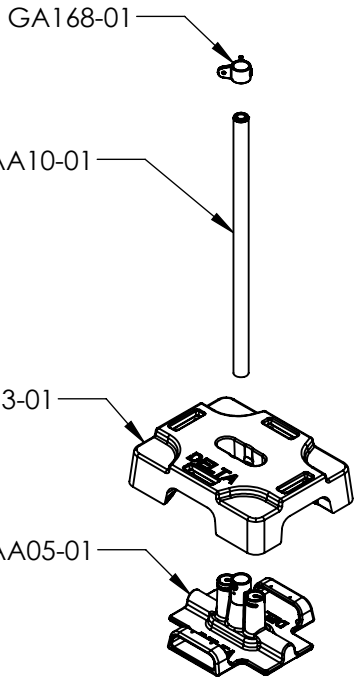
4

3

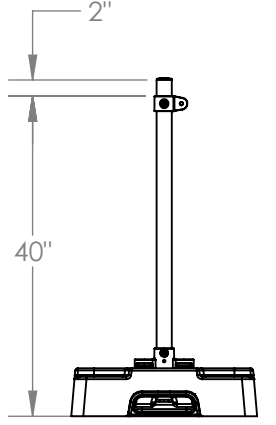
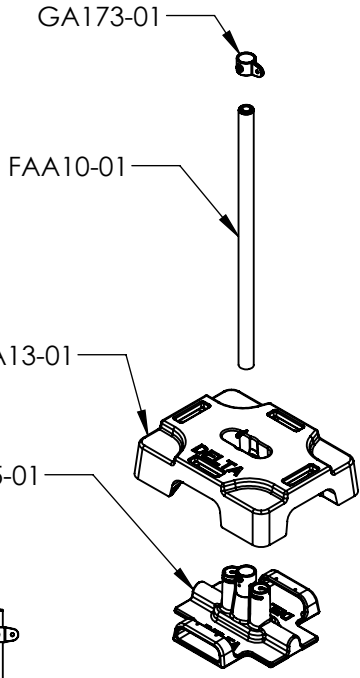
2

1

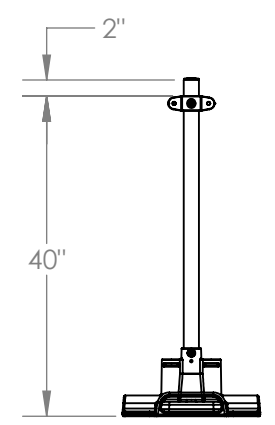
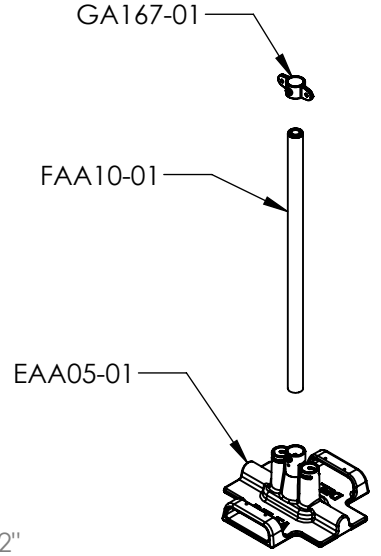
CORNER POST



END POST

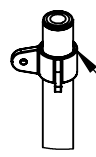
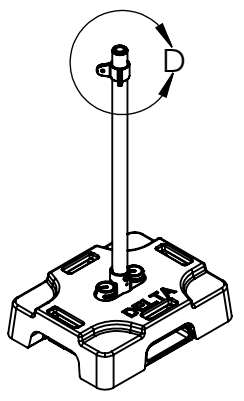


MID POST



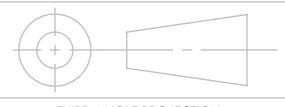
B
A

B
A



ANGLED AT 45 DEG. PLEASE NOTE ORIENTATION

DETAIL D
SCALE 1 : 12




THIRD ANGLE PROJECTION

ALL DIMENSIONS ARE IN INCH
TOUTES LES DIMENSIONS SONT EN POUCE
UNLES OTHERWISE NOTED
SAUF INDICATION CONTRAIRE

TOLERANCES/TOLÉRANCES:

DIM.	ANG.
X.X ±0.060"	X ±3.00°
X.XX ±0.030"	X.X ±1.00°
X.XXX ±0.015"	X.XX ±0.50°

MACHINED SURFACE FINISH/FINI DE SURFACE MACHINÉ:
Ra : 125 µin

MATERIAL/MATERIEL: N/A	3D FILE NAME/NOM DE FICHER 3D: TYPICAL DETAIL DRAWINGS C - VSS SAFETYLINE RSST_REV.1	
VOLUME/VOLUME: N/A		
PAINTED/PEINTURE: N/A		
EST WEIGHT/POIDS EST: 444.803 POUNDS	TITLE/TITRE: TYPICAL DETAIL DRAWING	
DRAWN BY/ DESSINÉ PAR: D.WU	PART NUMBER/NUMÉRO DE PIÈCE: RSST - VSS SAFETYLINE	REV: 1
CHECKED BY/VÉRIFIÉ PAR: D.WU	SIZE/FORMAT: A	SCALE/ÉCHELLE: 1:24
		SHEETS/FEUILLES: 2 OF/DE 2

4

3

2

1